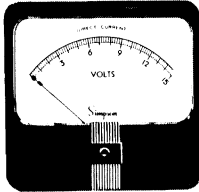


Simpson panel instruments...



1250 STOCK TYPES

... plus **HUNDREDS MORE**, custom-built
from standing tools ✕

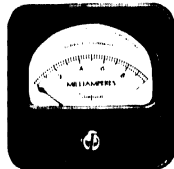
INSTRUMENTS THAT STAY ACCURATE

* Send us your special meter requirements today. Let our top-flight engineers work out solutions or make recommendations best suited to your needs.

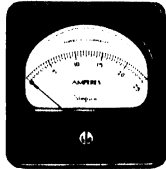
YOUR ELECTRONIC PARTS DISTRIBUTOR
HAS HUNDREDS IN STOCK!

Simpson ELECTRIC COMPANY

5200 West Kinzie St., Chicago 44, Ill. Phone: EStebrook 9-1121
In Canada: Bach-Simpson, Ltd., London, Ontario



2½" RECTANGULAR
ACCURACY: ±2%
SCALE LENGTH: 1⅞"



3½" RECTANGULAR
ACCURACY: ±2%
SCALE LENGTH: 2⅞"



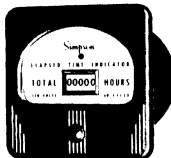
2½", 3½", 4½"
WIDE VUE
ACCURACY: ±3%



2½" or 3½" ROUND
ACCURACY: ±2%
SCALE LENGTH: 1⅞"



EDGEWISE
ACCURACY: DC ±2%
SCALE LENGTH: 1⅞"



ELAPSED TIME INDICATOR
110/220 VOLTS

See the Simpson
ADD-A-TESTER ADAPTERS
they will increase the
versatility of your
260 or 270 VOM'S.

TRANSISTOR TESTER

Model 650\$26.95

DC VTVM

Model 651 \$32.95

TEMPERATURE TESTER

Model 652 \$38.95

AC AMMETER

Model 653\$18.95

AUDIO WATTMETER

Model 654\$18.95

MICROVOLT ATTENUATOR

Model 655 \$18.95

BATTERY TESTER

Model 656 \$19.95

OPERATOR'S MANUAL

VOLT-OHM-MILLIAMMETER 260[®], SERIES II

Courtesy Of:
Simpson260.com

SIMPSON ELECTRIC COMPANY

5200 W. Kinzie St., Chicago 44, Illinois, ES 9-1121
Long Distance Dial 312

In Canada, Bach-Simpson, Ltd., London, Ontario

Copyright 1956, Simpson Electric Co.,

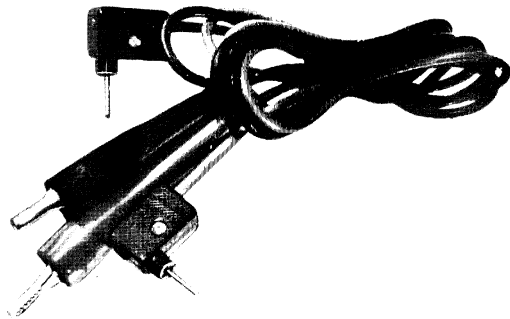
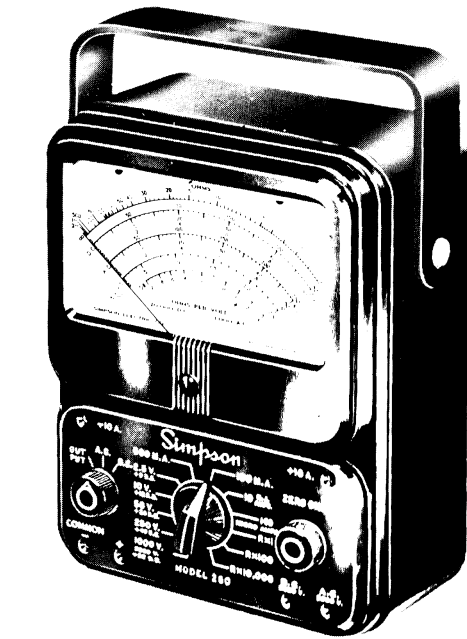


FIGURE 1. SIMPSON VOLT-OHM-MILLIAMMETER
MODEL 260
SIZE 5½" X 7" X 3¼". WEIGHT 3¼ LBS.

TABLE OF CONTENTS

SECTION I	GENERAL DESCRIPTION	PAGE
	Accuracy	9
	Measurement Ranges	10
	D.C. Voltage	10
	A.C. Voltage	10
	A.F. Output Voltage	10
	Volume Level in Decibels	10
	D.C. Resistance	11
	Current in D.C. Circuits	11
	D.C. Voltage Measurements	11
	A.C. Voltage Measurements	11
	D.C. Resistance Measurements	11
	Current Measurements in D.C. Circuits	12
SECTION II	OPERATION	
	Zero Adjustment	12
	Step-By-Step Operating Instructions	12
	D.C. Voltage Measurements 0-1000 Volts	12
	D.C. Voltage Measurements 1000-5000 Volts	13
	A.C. Voltage Measurements 0-1000 Volts	14
	A.C. Voltage Measurements 1000-5000 Volts	15
	A.F. Output Measurements	16
	Other Ranges	16
	Reactance of Series Condenser	17
	Volume Level Measurements	17
	D.C. Resistance Measurements	17
	Current Measurements in D.C. Circuits	19

TABLE OF CONTENTS

SECTION III FUNCTIONING OF PARTS

Schematic Diagram	20
D.C. Voltmeter Circuit – 20,000 Ohms Per Volt.	20
Resistance of Multiplier Resistors	20
A.C. Voltmeter Circuit – 1000 Ohms Per Volt.	21
A.C. Rectified by Copper Oxide Rectifier.	21
A.F. Output Meter.	22
Reading A.C. Voltage	22
Effective Resistance	23
2.5 Volt Range.	23
Volume Level Meter.	23
Conversion of Scale.	24
Output Meter	24
D.C. Ohmmeter.	24
D.C. Milliammeter and Ammeter	25

SECTION IV MAINTENANCE

Do Not Drop Your 260.	27
Make Proper Settings Before Use	27
Battery Replacement	27
Pointer Won't Zero on Rx1 and Rx100 Ranges.	28
Pointer Won't Zero on Rx10,000 Range.	28
How to Replace Batteries.	28
Parts List.	32

SECTION V MODEL 260 SPECIFIC APPLICATIONS

General.	34
Measuring Grid Currents.	34
F.M. Alignment.	34
A.V.C. Diode Circuits	34
High Mu Plate Voltage.	35

TABLE OF CONTENTS

Bias of Power Detector	35
Model 260 as a Condenser Tester.	35
Initial Deflection Not Present	35
Positive Jack to Positive Condenser Terminal	36
Should Read About .5 Megohm	36
Paper Condensers.	36
Condensers From .001 Mfd. to 1.0 Mfd.	37
Descriptive Tables	38

SECTION VI SUPPLEMENTARY DATA

RMA Resistor Color Code Chart	39
RMA Mica Capacitor Color Code Chart.	40
RMA Condenser Marking Code	41
Volts-Decibels Conversion Table.	42
Capacitive Reactances.	44
Audio Frequencies.	44
Radio Frequencies.	44

Courtesy Of:
Simpson260.com

Foreword

LIST OF ILLUSTRATIONS

	PAGE
Fig. 1 Simpson Volt-Ohm-Milliammeter Model 260	2
Fig. 2 Simplified D.C. Voltmeter Circuit	21
Fig. 3 Simplified A.C. Voltmeter Circuit	22
Fig. 4 Simplified Output Meter Circuit.	23
Fig. 5 Ohmmeter Circuit with Selector Switch in Position Rx1	24
Fig. 6 Ohmmeter Circuit with Selector Switch in Position Rx100	25
Fig. 7 Ohmmeter Circuit with Selector Switch in Position Rx10,000	25
Fig. 8a Simplified Microammeter Circuit	26
Fig. 8b Simplified Milliammeter and Ammeter Circuit.	26
Fig. 9 Model 260 Schematic Diagram.	29
Fig. 10a Model 260 Parts Layout – Rear View.	30
Fig. 10b Model 260 Parts Layout – Rear View of Front Panel	31
Fig. 11 Model 260 Used as Condenser Tester.	37
Fig. 12 RMA Resistor Color Code Chart	39
Fig. 13 RMA Mica Capacitor Color Code Chart	40

WORLD FAMOUS

As the purchaser of a Simpson 260, you are now the owner of the most famous testing instrument in the world. Compact, of unusually high sensitivity (50 microamperes full scale), the Model 260 has earned its top ranking reputation as the result of quality construction joined to exceptional engineering versatility. This engineering superiority is, in turn, the product of invaluable years of experience with every single unit comprising the complete assembly.

In choosing the Simpson 260, you have concurred in the verdict of over 300 government agencies and university laboratories which, long before World War II, and all through it, purchased it in quantities unequalled by any competitive instrument. It served on every battlefield and in every branch of our armed services.

MANY FEATURES IN "260"

In no other instrument of its kind do you find features such as are contained in the Simpson Model 260. Its trim, scientific appearance -- the 4½" modernistic instrument, the heavy bakelite case, the neat bakelite panel -- gives evidence of inner quality. These hidden features are too numerous to mention here, but your pride in your new instrument will grow as you learn of them. Parts are assembled and placed in position so they cannot become loose or detached from their original positions. All the sub-assemblies are mounted on specially designed bakelite panels, or on a specially designed sub-panel, made and engineered expressly for a specific function in the Model 260.

SIMPSON BUILDS ITS OWN TEST EQUIPMENT

When you purchase Simpson test equipment, you get equipment made almost entirely within the various plants of our Company. Each component part of the 260 has been designed and completely tooled and manufactured in our own plants, with the exception of the resistors and one or two other functionally less important parts. The Model 260, like all other Simpson testers, is not an assembly job made up from purchased parts such as is true of the majority of testers offered on the market.

We are by far more self-contained than any other manufacturer of test equipment. This is your assurance that the testers we offer will not quickly become obsolete. Our tremendous investment in expensive production tools is your safeguard against obsolescence and further assurance of unvarying quality.

Here at Simpson we do not think of making instruments merely to sell. We think of making instruments to serve. Our interest in your Model 260 and in your satisfaction with it never ceases. That is the reason for this Operator's Manual. We want you to know how to get the most from your 260.

The Model 260 is a rugged instrument and will withstand a great deal of abuse. We urge you, however, to treat it with care as its mechanism is actually more delicate than that of a watch. If you will keep it clean, free from continuous severe vibration and avoid dropping it, your Model 260 will give you a lifetime of accurate, dependable service.

OPERATOR'S MANUAL

SIMPSON MODEL 260 VOLT-OHM-MILLIAMMETER

SECTION I

GENERAL DESCRIPTION

The Simpson Volt-Ohm-Milliammeter Model 260 offers the service dealer a small, compact and complete instrument with high sensitivity for testing and locating trouble in all types of circuits. The large four and one-half inch meter provides a long scale that is easy to read, and the compact arrangement of the controls allows the overall size of the bakelite housing to be comparatively small for maximum portability.

Each unit is supplied with an operator's manual and one set of red and black test leads with insulated clips.

The electrical circuit is designed to give maximum insurance against inaccuracy and damage to the component parts. Highly accurate carbofilm resistors are used to insure long life and dependability, and these are firmly held in place in a special bakelite housing designed for this purpose. The entire assembly is truly rugged and can well withstand the wear and tear of the service work for which it is designed.

ACCURACY

Accuracy is 3% D.C. and 5% A.C. of full scale deflection.

GENERAL DESCRIPTION

MEASUREMENT RANGES

D. C. VOLTAGE

0-2.5 volts
0-10 volts
0-50 volts
0-250 volts 20,000 ohms per volt sensitivity
0-1000 volts
0-5000 volts

A. C. VOLTAGE

0-2.5 volts
0-10 volts
0-50 volts
0-250 volts 1,000 ohms per volt sensitivity
0-1000 volts
0-5000 volts

A. F. OUTPUT VOLTAGE

0-2.5 volts
0-10 volts
0-50 volts 0.1 Mfd. internal series condenser
0-250 volts
0-1000 volts

VOLUME LEVEL IN DECIBELS

-12 to +3 decibels
0 to +15 decibels
+14 to +29 decibels
+28 to +43 decibels
+40 to +55 decibels

Calibrated for reference level
of 500 ohms and .006 Watts

GENERAL DESCRIPTION

D. C. RESISTANCE

0-2000 ohms (12 ohms center)
0-200,000 ohms (1200 ohms center)
0-20 megohms (120,000 ohms center)

CURRENT IN D. C. CIRCUITS

100 microamperes
10 milliamperes
100 milliamperes 250 millivolts
500 milliamperes
10 amperes

D. C. VOLTAGE MEASUREMENTS

D. C. voltage is measured by applying the unknown voltage to the meter through suitable internal series resistors. The meter has a full scale sensitivity of 50 microamperes at 100 millivolts with an internal resistance of 2,000 ohms, giving the instrument an overall sensitivity of 20,000 ohms per volt.

A. C. VOLTAGE MEASUREMENTS

A. C. voltage measurements, including output and decibel readings, are made possible by the use of an internal copper oxide rectifier connected in series with the meter. A precision wound internal shunt resistor is connected in parallel with the meter in order to obtain a sensitivity of 1,000 ohms per volt.

D. C. RESISTANCE MEASUREMENTS

D. C. resistance measurements are made by employing an internal battery and precision series and shunt resistors, resulting in accurate indication of resistance values.

GENERAL DESCRIPTION

CURRENT MEASUREMENTS IN D. C. CIRCUITS

Current is measured through the use of precision internal shunts resulting in accurate indication throughout the various ranges.

SECTION II

OPERATION

CAUTION

When making measurements, turn off the power to the circuit under test, clip the test leads to the desired points and then turn on the power to take the reading. Turn off the power before you disconnect the meter.

ZERO ADJUSTMENT

Before taking readings, be sure that the pointer is on zero. If pointer is off zero, adjust by means of the slotted screw located in the bakelite case directly below the meter scale as shown in Figure 1. Use a small screw-driver to turn this adjustment slowly to the right or left until the pointer is directly over the zero point on the scale.

STEP-BY-STEP OPERATING INSTRUCTIONS

D. C. VOLTAGE MEASUREMENTS 0-1000 VOLTS

1. Place the "OUTPUT-A.C.-D.C." switch in the "D.C." position.
2. Rotate the range selector switch to any one of the voltage positions required. When in doubt of the voltage present, always use the highest range as a protection to the

OPERATION

meter. After obtaining the first reading, the switch can be reset to a lower range, if needed, to obtain a more accurate reading.

3. Plug the black test lead into the jack marked "COMMON -" and the red test lead into the jack marked "+". Clip the other end of the black lead to the negative side of the circuit to be checked and the other end of the red lead to the positive side.

4. Turn on the power to the circuit to be tested. If the pointer deflects to the left of zero, the connections are incorrect. Turn off the power and reverse the positions of the test clips.

5. Read the voltage on the black arc marked "D.C." which is second from the top.

For the 2.5 volt range, use the 0-250 figures and divide by 100.

For the 10, 50, and 250 volt ranges, read the figures directly.

For the 1000 volt range, use the 0-10 figures and multiply by 100.

D. C. VOLTAGE MEASUREMENTS 1000-5000 VOLTS

CAUTION

Use extreme care when you check high voltage. Always turn off power before making connections and do not touch meter or test leads while taking the reading.

1. Place the "OUTPUT-A.C.-D.C." switch in the "D.C." position.

OPERATION

2. Set the range selector switch in the 1000 volt position.
3. Plug the black test lead into the jack marked "COMMON -" and the red test lead into the jack marked "D.C. 5000 V."
4. Be sure power is turned off to the circuit to be tested and the condensers are discharged; then clip the black test lead to the negative side and the red test lead to the positive side.
5. Turn on the power.
6. Read the voltage using the 0-50 figures on the black arc marked "D.C." which is second from the top. Then multiply the reading by 100. Turn off power before disconnecting meter.

A. C. VOLTAGE MEASUREMENTS 0-1000 VOLTS

1. Place the "OUTPUT-A.C.-D.C." switch in the "A.C." position.
2. Rotate the range selector switch to any of the five ranges required. When in doubt of the voltage present, always use the highest range as a protection to the meter. After obtaining the first reading, the switch can be set to a lower range for a more accurate reading.
3. Plug the black test lead into the jack marked "COMMON -" and the red test lead into the jack marked "+". Clip the other ends of the test leads to the two sides of the circuit to be tested. A.C. voltage will read correctly regardless of which way the test leads are connected.
4. Turn on the power to the circuit to be tested.

OPERATION

5. For the 2.5 volt range, read the voltage on the red arc marked "2.5 V.A.C. ONLY" which is second from the bottom.

For the other ranges use the red arc marked "A.C." which is third from the bottom.

For the 10, 50 and 250 volt ranges, read the figures directly.

For the 1000 volt range read the 0-10 figures and multiply by 100.

A. C. VOLTAGE MEASUREMENTS 1000-5000 VOLTS

CAUTION

High voltage is dangerous. Always turn off power before you connect or disconnect test leads. Do not handle meter or test leads while power is on.

1. Set the "OUTPUT-A.C.-D.C." switch in the "A.C." position.
2. Rotate the range selector switch to the 1000 V. position.
3. Plug the black test lead into the jack marked "COMMON -" and the red test lead into the jack marked "A.C. 5000 V."
4. Be sure power is turned off in circuit to be tested, and then clip the test leads to the two sides of the circuit. A. C. voltage will read correctly regardless of which way the leads are connected.
5. Turn on the power.

OPERATION

6. Read the voltage on the red arc marked "A.C." which is third from the bottom. Use the 0-50 figures and multiply by 100. Turn off power before disconnecting meter.

A. F. OUTPUT MEASUREMENTS

1. Place the "OUTPUT-A.C.-D.C." switch in the "OUTPUT" position. When the switch is in this position, an internal condenser is connected in series for the purpose of blocking out the D.C. component whenever connections are made directly to the plate of a tube.
2. Rotate the range selector switch to any of the five ranges required. When in doubt of the voltage present, always use the highest range as a protection to the meter. After obtaining the first reading, the switch can be set to a lower range for a more accurate reading.
3. Plug the black test lead into the jack marked "COMMON -" and the red test lead into the jack marked "+". Clip the other ends of the test leads to the output of the circuit under test.
4. Turn on the power.
5. For the 2.5 volt range use the red arc marked "2.5 V.A.C. only" which is second from the bottom.

OTHER RANGES. . .

For the 10, 50, and 250 volt ranges, read the figures directly. For the 1000 volt range, use the 0-10 figures and multiply by 100.

For the other ranges, use the red arc marked "A.C." which is third from the bottom.

OPERATION

REACTANCE OF SERIES CONDENSER

The reactance of the series condenser used when reading output volts causes a slight error which varies with frequency. This is explained in Section III.

VOLUME LEVEL MEASUREMENTS

1. Set the "OUTPUT-A.C.-D.C." switch in the "A.C." position.
2. Rotate the range selector switch to any of the five ranges required.
3. Plug the test leads into the two jacks marked "+" and "COMMON -" and connect the clips to the two sides of the circuit to be checked.
4. Turn on the power and read decibels on the black arc marked "D.B." which is at the bottom of the scale. In order to obtain decibel readings it is necessary to add algebraically the scale reading and the number shown at the setting of the range selector switch. For example, if the scale indication is -4 D.B. with the switch in the +12 D.B. position, the true reading will be +8 D.B. because $(-4) + (+12) = +8$. (For .001 watt - 600 ohm reference level add +7 D.B.)

D. C. RESISTANCE MEASUREMENTS

CAUTION

Before making any resistance measurements in a radio circuit, be sure the current is turned off so that no voltage exists. Otherwise the meter may be damaged.

OPERATION

1. Place the "OUTPUT-A.C.-D.C." switch in the "D.C." position.

2. Rotate the range selector switch to any of the three ranges required.

R X 1 for 0-2000 ohms.

R X 100 for 0-200,000 ohms.

R X 10,000 for 0-20 megohms.

3. Plug the test leads into the two jacks marked "+" and "COMMON -". Short the ends of the leads and set the pointer to zero by rotating the "ZERO OHMS" knob.

4. Separate the ends of the test leads and clip them across the portion of the circuit to be measured.

5. Read ohms on the black arc at the top of the scale.

For range R X 1, read the figures directly.

For range R X 100, multiply the reading indicated by 100, or add two zeros.

For range R X 10,000, multiply the reading indicated by 10,000, or add four zeros.

Example: A 2 megohm resistor should be checked on the R X 10,000 range. The reading on the scale will be 200. Adding four zeros will give 2,000,000 ohms, or 2 megohms.

CAUTION

Do not leave the range selector switch in a resistance measurement position when the meter is not in use because the test leads may become shorted and run down the internal battery. It is also possible

OPERATION

that the instrument may be connected across a voltage accidentally and thus cause damage to the meter.

CURRENT MEASUREMENTS IN D. C. CIRCUITS

1. Place the "OUTPUT-A.C.-D.C." switch in the "D.C." position.

2. Rotate the range selector switch to any of the ranges required. When in doubt of the current present, always use the highest range as a protection to the meter. After obtaining the first reading, the switch can be reset to a lower range if needed.

3. Plug the black test lead into the jack marked "COMMON -" and the red test lead into the jack marked "+". For the 10 ampere range use the jacks marked "-10 A." and "+10 A."

4. Break the circuit to be tested and insert the meter in series by connecting the red test lead to the positive side and the black test lead to the other side.

5. Turn on the power.

6. Read milliamperes on the black arc which is second from the top. If the pointer is forced against the stop at the left of the scale, the connections are incorrect. Turn off the power and reverse the positions of the test clips.

For 100 microamperes, read the figures 0-10 and multiply by 10.

For 10 milliamperes, read the figures directly.

For 100 milliamperes, read the figures 0-10 and multiply by 10.

OPERATION

For 500 milliamperes, read the figures 0-50 and multiply by 10.

For 10 amperes, read the figures 0-10 directly.

CAUTION

For current measurements, the meter must always be connected in series with the circuit. Never connect the meter across a voltage source when the range selector switch is set for current measurement because this may damage the meter. Always observe polarity.

SECTION III

FUNCTIONING OF PARTS

SCHEMATIC DIAGRAM . . .

The complete schematic diagram of the Simpson Volt-Ohm-Milliammeter Model 260 is shown in Figure 9. The simplified sections are described in the following paragraphs.

D. C. VOLTMETER CIRCUIT – 20,000 OHMS PER VOLT

FIGURE 2

Figure 2 shows the circuit used when the "OUTPUT-A.C.-D.C." switch is in the "D.C." position and the range selector switch is in any one of the five voltage positions.

RESISTANCE OF MULTIPLIER RESISTORS

The total resistance of the bank of multiplier resistors and the meter is 100 megohms, or 100,000,000 ohms, from the "5000 V." jack to the "COMMON -" jack. Ohms law will

FUNCTIONING OF PARTS

show that when a 5000 volt potential is applied between these two jacks, a current of 50 microamperes will flow through the circuit, causing a full scale deflection of the meter. Dividing the number of ohms, 100,000,000, by the number of volts, 5000, gives 20,000 ohms-per-volt which is the instrument sensitivity.

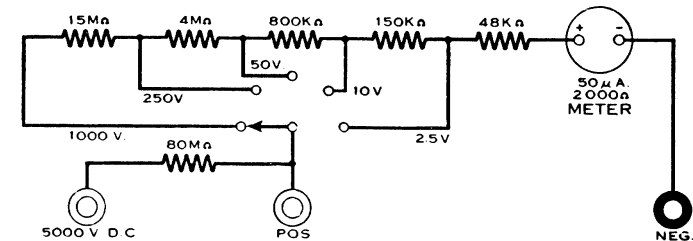


FIGURE 2. SIMPLIFIED D.C. VOLTMETER CIRCUIT

A.C. VOLTMETER CIRCUIT – 1000 OHMS PER VOLT

FIGURE 3

Figure 3 shows the circuit used when the "OUTPUT-A.C.-D.C." switch is in the "A.C." position and the range selector switch is in any one of the five voltage positions.

A.C. RECTIFIED BY COPPER OXIDE RECTIFIER

In this circuit the A.C. is rectified by a copper oxide rectifier in order to supply the microammeter with direct current. The other half of the cycle passes around the meter and through the rectifier in the opposite direction as shown by the arrows in Figure 3. The shunt resistor R-24 and the series resistor R-23 are precision wound and calibrated

FUNCTIONING OF PARTS

with the rectifier with which they are used. The resulting sensitivity is 1000 ohms per volt.

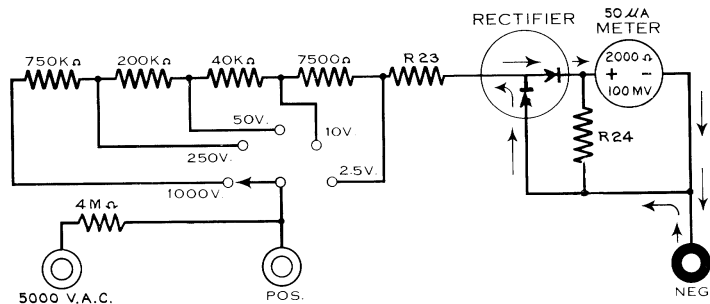


FIGURE 3. SIMPLIFIED A.C. VOLTMETER CIRCUIT

A.F. OUTPUT METER

FIGURE 4

Figure 4 shows the circuit used when the "OUTPUT-A.C.-D.C." switch is in the "OUTPUT" position and the range selector switch is in any one of the five voltage positions. This is the same as the A.C. voltmeter except that the 5000 V. range is omitted, and a 0.1 mfd. condenser is placed in series with the "+" jack to block the D.C. component when connection is made direct to the plate of a tube.

READING A. C. VOLTAGE

When reading A.C. voltage with the output meter, the impedance of the blocking condenser, which is in series with the voltage multipliers, must be taken into consideration.

FUNCTIONING OF PARTS

This impedance will cause considerable error at 60 cycles, but the percent of error will decrease with an increase in frequency.

EFFECTIVE RESISTANCE . . .

The actual effective resistance is equal to $\sqrt{X_c^2 + R^2}$ where X_c is the capacitive reactance of the 0.1 mfd. condenser and R is the multiplier resistance.

. . . 2.5 VOLT RANGE

For the 2.5 volt range $R = 2500$ ohms and X_c at 60 cycles = 26,500 ohms. Therefore $\sqrt{26,500^2 + 2500^2} = 26,618$ ohms, which is the actual effective resistance in the circuit.

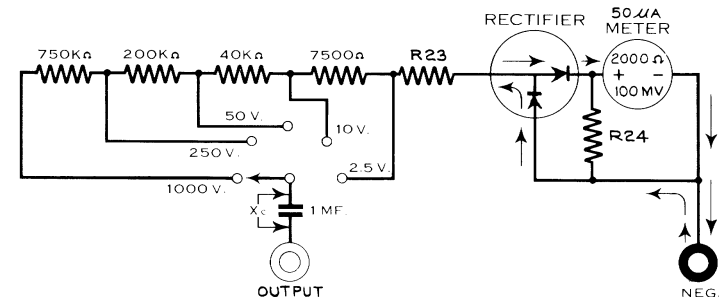


FIGURE 4. SIMPLIFIED OUTPUT METER CIRCUIT

VOLUME LEVEL METER

The decibel is a unit of measurement used in P.A. and telephone work. Two reference levels are commonly used; they are .001 watt in 600 ohms for telephone service and .006 watt in 500 ohms for P.A. service. The former establishes the zero reference level at 0.7746 volt, and the latter at 1.732 volts. The Model 260 DB scale is based on the .006 watt-500 ohm level with zero DB at 1.732 volts.

FUNCTIONING OF PARTS

CONVERSION OF SCALE

This scale may be converted to the .001 watt-600 ohm level by adding +7 DB to the scale indication.

OUTPUT METER

The output meter is more commonly used in radio service work for comparative readings but if desired, A.C. volts can be converted into decibels by means of a conversion chart. Refer to Section VI – Supplementary Data.

D. C. OHMMETER

Figures 5, 6 and 7 show the ohmmeter circuits when the range selector switch is in positions R x 1, R x 100, and R x 10,000 respectively.

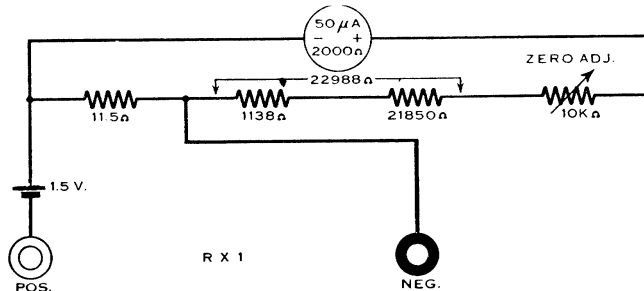


FIGURE 5. OHMMETER CIRCUIT WITH SELECTOR SWITCH IN POSITION R X 1

The selector switch throws in the proper series and shunt resistors and batteries for each range so that when the test leads are shorted, the meter will read full scale.

FUNCTIONING OF PARTS

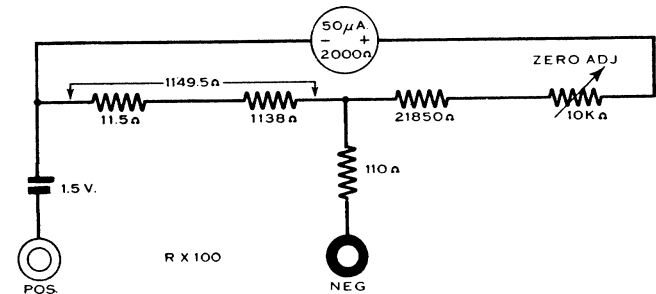


FIGURE 6. OHMMETER CIRCUIT WITH SELECTOR SWITCH IN POSITION R X 100

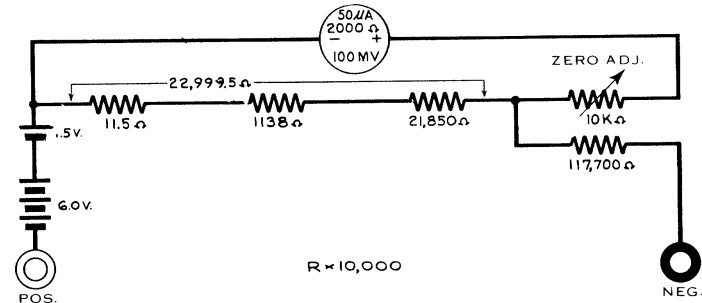


FIGURE 7. OHMMETER CIRCUIT WITH SELECTOR SWITCH IN POSITION R X 10,000

D. C. MILLIAMMETER AND AMMETER

FIGURE 8a

Figure 8a shows the circuit used when the "OUTPUT-A.C.-D.C." switch is in the "D.C." position and the range switch is in the 100 microampere position. This circuit is equivalent to two equal resistors in parallel. The 3000 ohm

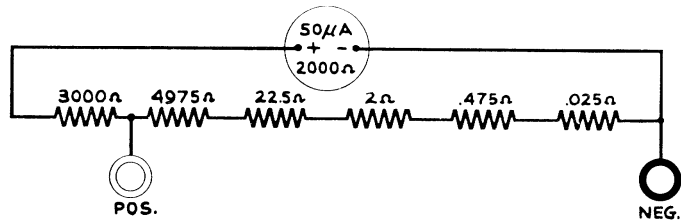


FIGURE 8A. SIMPLIFIED MICROAMMETER CIRCUIT

resistor and 2000 ohm meter form one 5000 ohm leg, and the five resistors between “+” and “COMMON -” form the other. As a result, when a current of 100 microamperes is flowing through the circuit, 50 microamperes flow through the shunt resistors and 50 microamperes flow through the meter, causing full scale deflection.

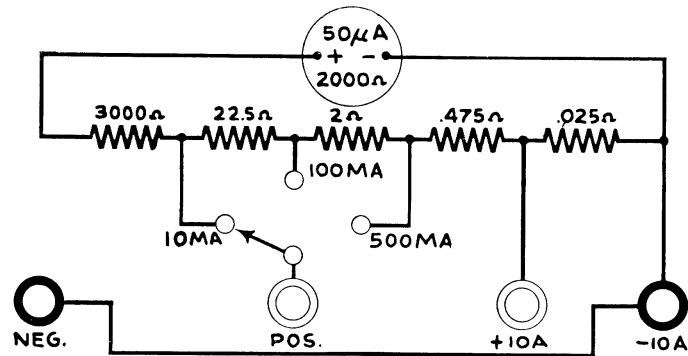


FIGURE 8B. SIMPLIFIED MILLIAMMETER AND AMMETER CIRCUIT

FIGURE 8b

Figure 8b shows the circuit used when the “OUTPUT-A.C.-D.C.” switch is in the “D.C.” position and the range switch is in the 10 M.A., 100 M.A. or 500 M.A. position. It can be seen that the resistance of the shunt resistors becomes lower as the higher current positions are used, thereby permitting a larger amount of current to flow through them. The amount of current flowing through the meter remains at 50 microamperes for full scale deflection. The voltage drop appearing across the various ranges is 250 millivolts.

SECTION IV

MAINTENANCE

DO NOT DROP YOUR 260

The Simpson Volt-Ohm-Milliammeter Model 260 is a very rugged instrument designed to take the wear and tear of every day service work. Nevertheless, care should be taken that the instrument is not dropped or subjected to excessively rough treatment.

MAKE PROPER SETTINGS BEFORE USE

Always be sure of the character of the circuit to be tested, and see that the selectors are properly set before making connections. When in doubt of the amount of voltage or current present, always use the highest range first.

BATTERY REPLACEMENT

Five batteries are mounted inside of the case to provide

MAINTENANCE

current for the resistance measuring ranges.

These are:

One Burgess No. 2 Uni-cel. 1.5 V.
 or Eveready No. 950 1.5 V.
 or Ray-o-vac No. 2 1.5 V.
 or equivalent

Four Burgess No. Z Uni-cel 1.5 V.
 or Eveready No. 915 1.5 V.
 or Ray-o-vac No. 7R 1.5 V.
 or equivalent

POINTER WON'T ZERO ON RX1 AND RX100 RANGES. . .

When it is no longer possible to bring the pointer to zero on the Rx1 and Rx100 ranges with the test leads shorted and rotating the "ZERO OHMS" knob, the single large 1.5 V. battery should be replaced.

POINTER WON'T ZERO ON RX10,000 RANGE

When it is no longer possible to bring the pointer to zero on the Rx10,000 range with the test leads shorted and rotating the "ZERO OHMS" knob, the four small 1.5 V. batteries should be replaced.

HOW TO REPLACE BATTERIES

To replace the batteries, remove the instrument from the case. This is done by removing the four screws from the bottom of the case. Slide out the bakelite battery retainers and slip the batteries from between the spring clips holding them in place. Insert the new batteries, being careful that the polarity corresponds to the markings on the bakelite case.

MAINTENANCE

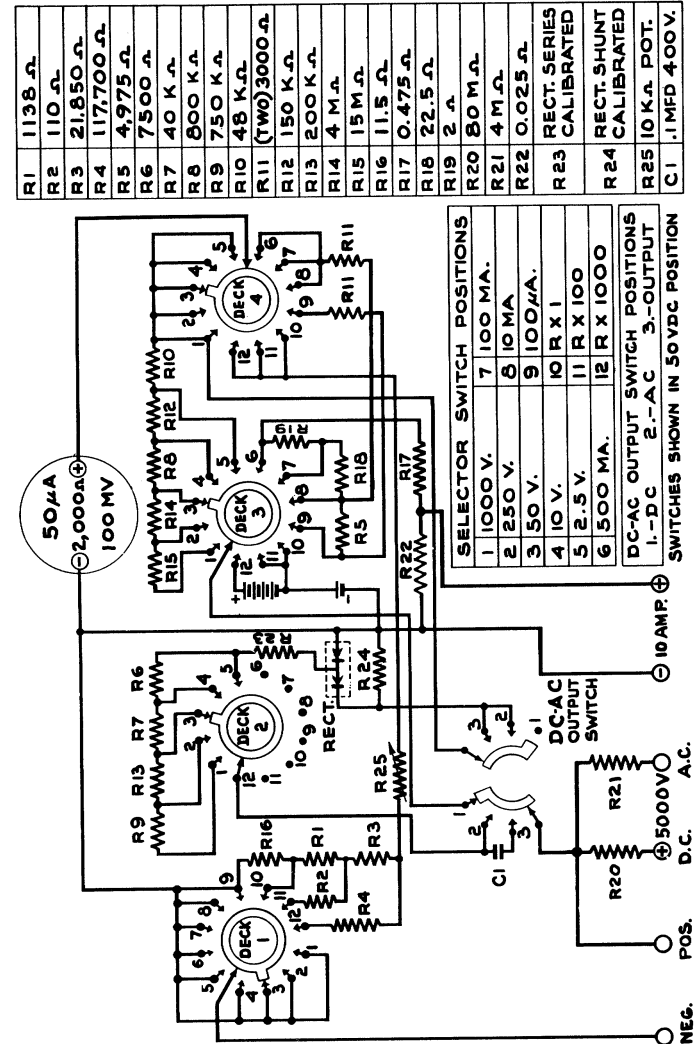


FIGURE 9. MODEL 260 SCHEMATIC DIAGRAM

MAINTENANCE

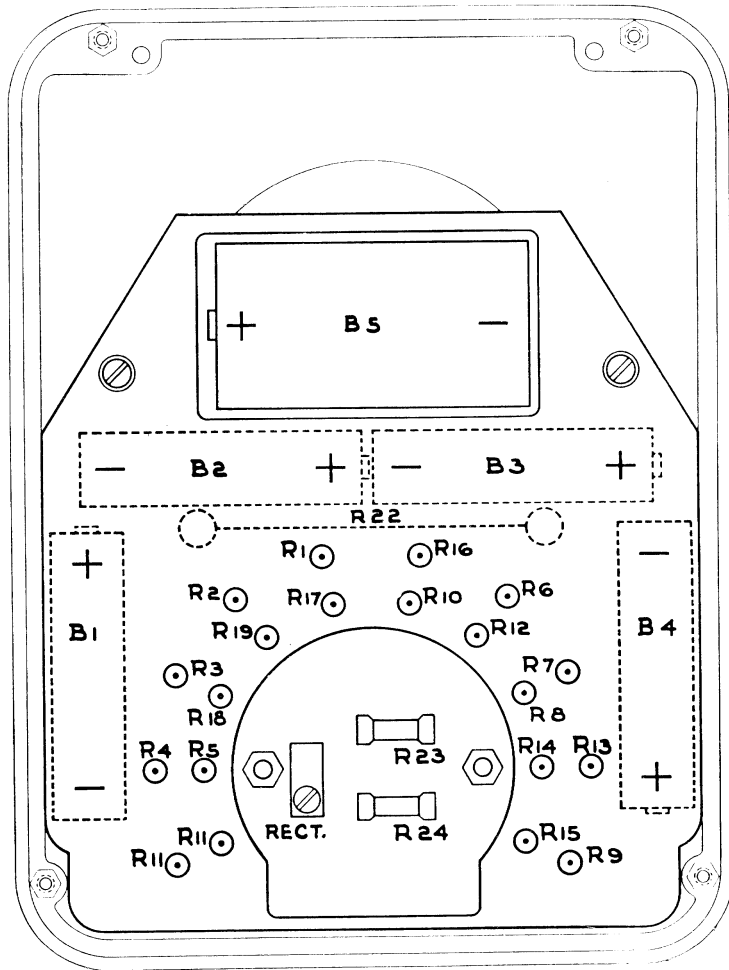


FIGURE 10A. MODEL 260 PARTS LAYOUT
REAR VIEW

MAINTENANCE

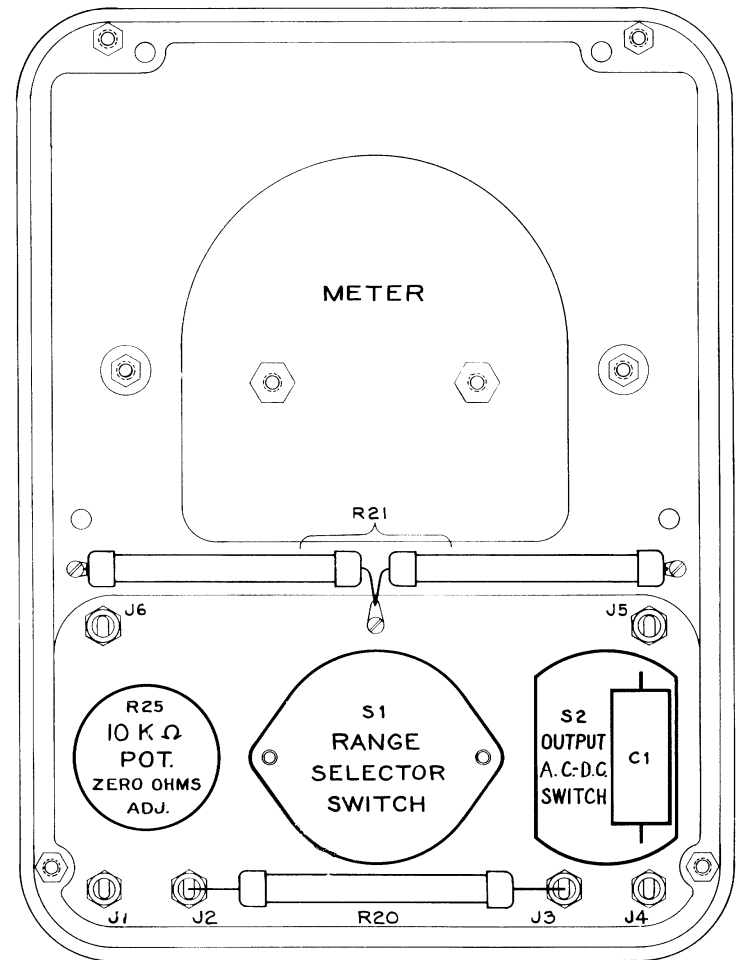


FIGURE 10B MODEL 260 PARTS LAYOUT
REAR VIEW OF FRONT PANEL

MAINTENANCE

PARTS LIST

Part No.	Description	Reference Symbol
1-113372	1138 ohm resistor	R1
1-113373	110 ohm resistor	R2
1-113369	21850 ohm resistor	R3
1-113367	117700 ohm resistor	R4
1-113371	4975 ohm resistor	R5
1-113370	7500 ohm resistor	R6
1-113309	40000 ohm resistor	R7
1-113363	800000 ohm resistor	R8
1-113364	375000 ohm resistor (2 Required)	R9
1-113368	48000 ohm resistor	R10
1-113287	3000 ohm resistor (2 Required)	R11
1-113366	150000 ohm resistor	R12
1-113365	200000 ohm resistor	R13
1-113362	4 megohm resistor	R14
1-113361	7.5 megohm resistor (2 Required)	R15
0-008070	11.5 ohm resistor (bobbin)	R16
0-008285	.475 ohm resistor (bobbin)	R17
0-008133	22.5 ohm resistor (bobbin)	R18
0-008060	2 ohm resistor (bobbin)	R19
1-113353	80 megohm resistor	R20
1-113352	2 megohm resistor (2 Required)	R21
0-008033	.025 ohm shunt assembly 10 amp. 250 MV-DC	R22

MAINTENANCE

	Copper oxide rectifier	Rect.
0-008585	Series resistor	Calibrated R23
	Shunt resistor	together R24
1-111722	10000 ohm potentiometer	R25
1-113733	0.1 MFD. 400 V. condenser	C1
1-113266	Range selector switch	S1
1-111891	Output-AC-DC switch	S2
1-111728	Jack, pin type	J1-6
1-111802	Dry cell 1.5 volt (4 Required)	B1-4
1-111798	Dry cell 1.5 volt	B5
3-262871	Range selector knob	
1-113641	Zero ohms knob	
1-113642	Output-AC-DC knob	
0-008375	Test lead set	
	Part No.	
	Black	
15-302260	Meter with panel	
3-320068	Bakelite Case	
1-113283	Carrying Handle	
0-005572	Meter Cover with Glass	
*3-260180	Range Selector Knob	
*3-262871	Zero Ohms and Output AC-DC Knob	
	*For all Models bearing Serial No. 60,000 or above.	
	Note - When ordering parts, specify serial number appearing on the bottom of the front panel of the Model 260.	

SECTION V
MODEL 260 SPECIFIC APPLICATIONS

GENERAL

The high sensitivity of the Volt-Ohm-Milliammeter Model 260 not only makes it suitable for all of the applications of a low sensitivity meter but also makes it adaptable to many special uses. The following applications are only a few of the many for which you will find the Model 260 a superior instrument.

MEASURING GRID CURRENTS

The Model 260, with its 100 microampere scale is so sensitive that it is possible to measure the grid currents of many tubes. A readable value as low as 1 microampere can be obtained.

F.M. ALIGNMENT

By opening the load resistor circuit of the limiter in a F.M. receiver and inserting the Model 260 as a microammeter in series, a reading may be obtained for I.F. alignment purposes. Adjust the circuit for maximum indication. Manufacturers' alignment instructions should be consulted for exact procedure.

A.V.C. DIODE CIRCUITS

An ordinary low sensitivity meter cannot be used across an A.V.C. network because of the low resistance which alters the constants of the circuits. The Model 260, however, requires so little current that sufficient indication can be obtained to determine if the A.V.C. circuit is functioning.

HIGH μ PLATE VOLTAGE

High μ tubes require a high resistance plate resistor. For this reason a low resistance meter will not give a satisfactory reading. Due to the high resistance and low current consumption of the Model 260, it will give a much more accurate indication.

BIAS OF POWER DETECTOR

A power detector uses a high resistance cathode resistor. A high sensitivity meter such as the Model 260 is essential to obtain a reading of the bias voltage on such a tube.

MODEL 260 AS A CONDENSER TESTER

USE RX10,000 RANGE

Condensers can be roughly tested for shorts and leakage with the Model 260, using the Rx10,000 range. A shorted condenser will cause a large deflection of the pointer of the ohmmeter and a condenser with high leakage will show a partial deflection of the pointer.

INITIAL DEFLECTION NOT PRESENT

Any condenser, other than electrolytic types, will normally cause a slight deflection of the pointer until the condenser becomes charged, when the pointer will return to zero. If the initial deflection is not present, it probably indicates an open lead. The resistance of a good paper condenser should be above 50 megohms per microfarad, and that of mica condensers above 100 megohms per microfarad. This resistance varies inversely according to the size of the

SPECIFIC APPLICATIONS

condenser, and is so high that it will not register on the ohmmeter.

POSITIVE JACK TO POSITIVE CONDENSER TERMINAL

When testing electrolytic condensers with the ohmmeter, the positive jack should be connected to the positive terminal of the condenser. Otherwise the reading will be too high because of the high leakage in the reverse polarity. After connecting the test leads to the condenser, allow sufficient time for the pointer to reach its maximum resistance reading.

... SHOULD READ ABOUT .5 MEGOHM

In general, a high grade, high voltage electrolytic condenser should read about .5 megohm or above, and a low voltage electrolytic by-pass condenser should read above .1 megohm. A more accurate test is to apply the rated polarizing D.C. voltage to the condenser with a milliammeter in series. It should read about 0.1 ma. per mfd., the maximum for a useful unit being about 0.5 ma. per mfd. New electrolytics that have been idle for considerable time may show high leakage but after "ageing" at their rated voltages for a few minutes will return to normal.

PAPER CONDENSERS

A rough test of the comparative capacity of paper condensers can be made with the Model 260 by connecting it as shown in Figure 11. The larger the unknown condenser being tested, the smaller its reactance and therefore the higher the reading will be on the A.C. voltmeter.

SPECIFIC APPLICATIONS

CONDENSERS FROM .001 MFD. TO 1.0 MFD.

The chart shows the approximate readings that will be obtained when testing condensers from .001 mfd. to 1.0 mfd.

CAUTION

Before connecting an unknown condenser for test, place the range selector switch of the Model 260 in the 250 V. position. Connect the condenser and if it is shorted, the meter will read line voltage. This would damage the meter if it were in the 10 V. position. Do not try to test electrolytic condensers in this manner because only D.C. can be applied to them.

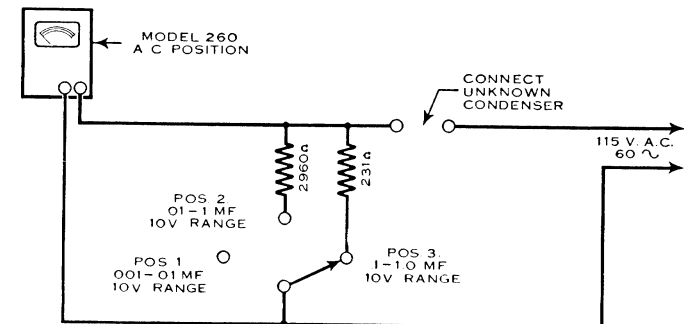


FIGURE 11. MODEL 260 USED AS CONDENSER TESTER
(SEE PAGE 38 FOR DESCRIPTIVE TABLES)

SPECIFIC APPLICATIONS

UNKNOWN CONDENSER MFD.	METER RANGE	APPROXIMATE READING A.C. VOLTS
.001.....	10 V.A.C.....	.6
.002.....	" "	1.1
.003.....	" "	1.5
.004.....	" "	1.9
.005.....	" "	2.5
.006.....	" "	3.0
.007.....	" "	3.6
.008.....	" "	4.0
.009.....	" "	4.4
.01	" "	4.8

Pos. 1
Figure 11

.01	10 V.A.C.....	1
.02	" "	2
.03	" "	3
.04	" "	4
.05	" "	5
.06	" "	6
.07	" "	7
.08	" "	8
.09	" "	9
.1	" "	10

Pos. 2
Figure 11

SPECIFIC APPLICATIONS

.1	10 V.A.C	1
.2	" "	2
.3	" "	3
.4	" "	4
.5	" "	5
.6	" "	6
.7	" "	7
.8	" "	8
.9	" "	9
1.0	" "	10

Pos. 3
Figure 11

SECTION VI

SUPPLEMENTARY DATA

RMA RESISTOR COLOR CODE CHART

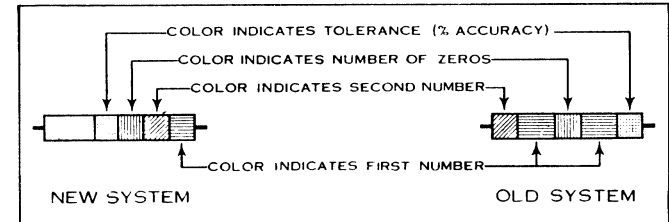


FIGURE 12. RMA RESISTOR COLOR CODE CHART

SUPPLEMENTARY DATA

Color	Number	Color	Number
Black.....	0	Green.....	5
Brown.....	1	Blue.....	6
Red.....	2	Violet.....	7
Orange.....	3	Gray.....	8
Yellow.....	4	White.....	9
Gold (Green-old system)	5% tolerance		
Silver (Blue-old system)	10% tolerance		
None	20% tolerance (Standard)		

EXAMPLE: A 50,000 ohm resistor of standard tolerance is indicated by a green ring (5), a black ring (0), and an orange ring (000), as shown in the new system of marking in Figure 12. In the old system of marking, at the right of Figure 12, the resistor would be painted green (5), with a black end (0) and an orange dot or ring in the center (000).

RMA MICA CAPACITOR COLOR CODE CHART

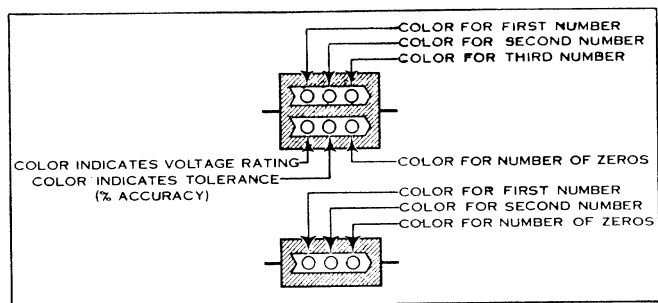


FIGURE 13. MICA CAPACITOR COLOR CODE CHART

SUPPLEMENTARY DATA

Color	Number	Tolerance	Voltage Rating
Black.....	0	--
Brown.....	1	1%	100
Red.....	2	2%	200
Orange.....	3	3%	300
Yellow.....	4	4%	400
Green.....	5	5%	500
Blue.....	6	6%	600
Violet.....	7	7%	700
Gray.....	8	8%	800
White.....	9	9%	900
Gold.....	5%		1000
Silver.....	10%		2000
None.....	20%		500

EXAMPLE: A 56,300 MMFD. (0.0563 MFD.) capacitor of 10% tolerance and a 500 volt rating is indicated by a green dot (5), a blue dot (6), and an orange (3), on the top row; a red dot (2 zeros) (00), a silver dot (10% tolerance) and a green dot (or no color) (500 volts) arranged in the order shown in Figure 13. All capacitance values are given in micro-microfarads (MMFD). To convert to microfarads (MFD) move the decimal point 6 places to the left. Small capacitors are often marked with 3 dots as shown in Figure 13. For example, a 250 MMFD. unit (0.000250 MFD.) would be marked red (2), green (5), and brown (1 zero) (0).

RMA CONDENSER MARKING CODE

The RMA Condenser marking code is in wide use, although there will be some cases where other codes will be found.

SUPPLEMENTARY DATA

DECIBELS ABOVE AND BELOW REFERENCE LEVEL
EXPRESSED IN WATTS AND VOLTS

Reference level 6 milliwatts into 500 ohms

Note that the power in watts holds for any impedance, but the voltage holds only for 500 ohms.

Volts	DB. Down		Power Level - +	Volts	DB. Up	
	Watts				Watts	
1.73	6.00×10^{-3}	0		1.73	.00600	
1.54	4.77×10^{-3}	1		1.94	.00755	
1.38	3.87×10^{-3}	2		2.18	.00951	
1.23	3.01×10^{-3}	3		2.45	.0120	
1.09	2.39×10^{-3}	4		2.75	.0151	
.974	1.90×10^{-3}	5		3.08	.0190	
.868	1.51×10^{-3}	6		3.46	.0239	
.774	1.20×10^{-3}	7		3.88	.0301	
.690	9.51×10^{-4}	8		4.35	.0387	
.615	7.55×10^{-4}	9		4.88	.0477	
.548	6.00×10^{-4}	10		5.48	.0600	
.488	4.77×10^{-4}	11		6.15	.0755	
.435	3.87×10^{-4}	12		6.90	.0951	
.388	3.01×10^{-4}	13		7.74	.120	
.346	2.39×10^{-4}	14		8.86	.151	
.308	1.90×10^{-4}	15		9.74	.190	
.275	1.51×10^{-4}	16		10.93	.239	
.245	1.20×10^{-4}	17		12.26	.301	

SUPPLEMENTARY DATA

Volts	DB. Down		Power Level - +	Volts	DB. Up	
	Watts				Watts	
.218	9.51×10^{-5}	18		13.76	.387	
.194	7.55×10^{-5}	19		15.44	.477	
.173	6.00×10^{-5}	20		17.32	.600	
.0974	1.90×10^{-5}	25		30.8	1.90	
.0548	6.00×10^{-6}	30		54.8	6.00	
.0308	1.90×10^{-6}	35		97.4	19.0	
.0173	6.00×10^{-7}	40		173	60.0	
.00974	1.90×10^{-7}	45		308	190	
.00548	6.00×10^{-8}	50		548	600	
.00173	6.00×10^{-9}	60		1,730	6,000	
.000548	6.00×10^{-10}	70		5,480	60,000	
.000173	6.00×10^{-11}	80		17,300	600,000	

Courtesy Of:
Simpson260.com

SUPPLEMENTARY DATA

CAPACITIVE REACTANCES AUDIO FREQUENCIES

$$\text{Formula: } X_c = \frac{1}{2 \pi f c}$$

Capacitance Microfarads	Reactance in ohms at:					
	30 c/s	60 c/s	100 c/s	400 c/s	1000 c/s	5000 c/s
.00005	--	--	--	--	--	637,000
.0001	--	--	--	--	1,590,000	318,000
.00025	--	--	--	1,590,000	637,000	127,000
.0005	--	--	3,180,000	796,000	318,000	63,700
.001	--	2,650,000	1,590,000	398,000	159,000	31,800
.005	1,060,000	530,834	318,000	79,600	31,800	6,370
.01	531,000	265,000	159,000	39,800	15,900	3,180
.02	263,000	132,500	79,600	19,900	7,960	1,590
.05	106,000	53,083	31,800	7,960	3,180	637
.1	53,100	26,500	15,900	3,980	1,590	318
.25	21,200	10,584	6,370	1,590	637	127
.5	10,600	5,308	3,180	796	318	63.7
1	5,310	2,650	1,590	389	159	31.8
2	2,650	1,325	796	199	79.6	15.9
4	1,310	663	398	99.5	39.8	7.96
8	663	332	199	49.7	19.9	3.98
16	332	166	99.5	24.9	9.95	1.99
25	212	106	63.7	15.9	6.37	1.27
35	152	86	45.5	11.4	4.55	.910

RADIO FREQUENCIES

$$\text{Formula: } X_c = \frac{1}{2 \pi f c}$$

Capacitance Microfarads	Reactance in ohms at:					
	175 Kc/s	252 Kc/s	465 Kc/s	550 Kc/s	1000 Kc/s	1,500 Kc/s
.00005	18,200	12,600	6,850	5,800	3,180	2,120
.0001	9,100	6,320	3,420	2,900	1,590	1,060
.00025	3,640	2,530	1,370	1,160	637	424
.0005	1,820	1,260	685	579	318	212
.001	910	632	342	290	159	106
.005	182	126	68.5	57.9	31.8	21.2
.01	91.0	63.2	34.2	28.9	15.9	10.6
.02	45.5	31.6	17.1	14.5	7.96	5.31
.05	18.2	12.6	6.85	4.79	3.18	2.12
.1	9.10	6.32	3.42	2.89	1.59	1.06
.25	3.64	2.53	1.37	1.16	.637	.424
.5	1.82	1.26	.685	.579	.318	.212
1	.910	.632	.342	.289	.159	.106
2	.455	.316	.171	.145	.0796	.0531
4	.227	.158	.0856	.0723	.0398	.0265

SIMPSON WARRANTY REPAIR STATIONS AND PARTS DEPOTS

**ARIZONA, PHOENIX

Metercraft, Inc., 3304 N. 24th Street

States: Arizona

Phone: Area Code 602, CRestwood 9-5287

CALIFORNIA, LOS ANGELES

Quality Electric Company, 3700 South Broadway

States: So. California below Fresno and Arizona

Phone: Area Code 213, ADams 2-4201

CALIFORNIA, SAN FRANCISCO

Pacific Electrical Instrument Lab, 111 Main Street

States: No. California above Fresno and Nevada

Phone: Area Code 415, GARfield 1-7185

**CANADA, LONDON, ONTARIO

Bach-Simpson Ltd., 1255 Brydges Street, P.O. Box 484

Phone: Area Code 519, GLadstone 1-9490

COLORADO, DENVER

Meter-Master Instrument Service, 2379 S. Downing St.

States: Wyoming, Utah, Colorado, and New Mexico

Phone: Area Code 303, RAce 2-8670

CONNECTICUT, NEW HAVEN

Kaufman Instrument Labs, Inc., 810 Dixwell Avenue

States: Connecticut

Phone: Area Code 203, SPruce 6-7201

FLORIDA, ORLANDO

Electro Tech, Inc., Florida Division, 307 - 27th Street

States: Florida

Phone: Area Code 305, GARden 3-5589

*Parts Depots only; no repairs.

**Repair Stations only; no resale of parts.

All others repair instruments and sell repair parts.

GEORGIA, ATLANTA

Electro-Tech, Inc., 690 Murphy Ave., S.W.
States: Alabama, Georgia, N. & S. Carolina, Tennessee
Phone: Area Code 404, PLaza 3-4128

*ILLINOIS, CHICAGO

Simpson Electric Company, 5200 W. Kinzie Street
Phone: Area Code 312, FStebrook 9-1121

*ILLINOIS, CHICAGO

Pacific Indicator Company, 5217 W. Madison Street
States: Chicago, Wisconsin and Indiana

**KANSAS, SHAWNEE MISSION

Sturtz Instrument Co., 4705 Mission Road
States: Kansas
Phone: Area Code 913, STarline 1-4711

LOUISIANA, NEW ORLEANS

Industrial Instrument Works, 3328 Magazine St.
States: Arkansas, Mississippi, and Louisiana
Phone: Area Code 504, TWinbrook 5-5621

MASSACHUSETTS, CAMBRIDGE

Alvin C. Mancib Company, 363 Walden Street
States: Vermont, New Hampshire, Massachusetts,
Rhode Island, and Maine
Phone: Area Code 617, UNiversity 4-2494

MICHIGAN, DETROIT

Ram Meter, Inc., 1100 Hilton Road, Ferndale
States: Michigan
Phone: Area Code 313, LIncoln 7-1000

*Parts Depots only; no repair.

**Repair Stations only; no resale of parts.

All others repair instruments and sell repair parts.

MINNESOTA, MINNEAPOLIS

Instrumentation Services, 917 Plymouth Avenue
States: Minnesota, North and South Dakota
Phone: Area Code 612, KEllogg 7-5411

MISSOURI, ST. LOUIS

Scherrer Instruments, 5449 Delmar Blvd.
States: Illinois below Peoria, Iowa, Missouri
Phone: Area Code 314, FOrEst 7-9800

NEW JERSEY, RIVERDALE

A & M Instrument Service, Inc, 11 Hamburg Turnpike
States: New Jersey
Phone: Area Code 609, MArket 4-7757

NEW YORK, BUFFALO

Electrical Instrument Labs., 932 Hertel Avenue
States: New York State except Met. New York
Phone: Area Code 716, EXport 2-2726

NEW YORK, GREAT NECK, LONG ISLAND

Simpson Instrument Service Corp., 130 Cutter Mill Rd.
States: Metropolitan New York
Phones: Area Code 212, MUrray Hill 3-0674,
HUnter 2-3103

NEW YORK, LONG ISLAND CITY

A & M Instrument Service, Inc., 48-01 31st Street
States: Metropolitan New York
Phone: Area Code 212, RAvenswood 6-4343

**NEW YORK, SYRACUSE

Syracuse Instrument Lab, 4895 South Ave., Box 96
Phone: Area Code 315, HYatt 2-1651

*Parts Depots only; no repair.

**Repair Stations only; no resale of parts.

All others repair instruments and sell repair parts.

OHIO, CLEVELAND

Weschler Electric Company, 4250 W. 130th Street
States: Ohio and Kentucky
Phone: Area Code 216, CLearwater 1-4609

**OKLAHOMA, TULSA

Tri-State Instrument Lab., 3244 East 15th Street
States: Oklahoma
Phone: Area Code 918, WE 6-0489

**OREGON, PORTLAND

The Instrument Laboratory, 1910 N. Killingsworth St.
States: Oregon
Phone: Area Code 503, BElmont 4-6683

PENNSYLVANIA, PHILADELPHIA

Sunshine Scientific Instrument, 1810 Grant Avenue
States: Pennsylvania, Maryland, Delaware, and
New Jersey below Trenton
Phone: Area Code 215, ORchard 3-5600

†TEXAS, DALLAS

Ultra Instrument Laboratories, 3515 Swiss Ave.,
Suite 117
Phone: Area Code 214, TAYlor 6-6395

VIRGINIA, FALLS CHURCH

United Instrument Lab., Inc., 110 Jefferson St.
States: Virginia, West Virginia, Washington, D.C.
Phone: Area Code 703, JEFFerson 2-1212

WASHINGTON, SEATTLE

The Instrument Lab, Inc., 934 Elliott Avenue West
States: Oregon, Washington, Idaho, and Montana
Phone: Area Code 206, ATwater 3-5850

*Parts Depots only; no repairs.

**Repair Sttions only; no resale of parts.

†Parts sales for Texas and Oklahoma; Repair, Texas only.
All others repair instruments and self repair parts.

WARRANTY

SIMPSON ELECTRIC COMPANY warrants each instrument and other articles of equipment manufactured by it to be free from defects in material and workmanship under normal use and service, its obligation under this warranty being limited to making good at its factory any instrument or other article of equipment which shall within 90 days after delivery of such instrument or other article of equipment to the original purchaser be returned intact to it, or to one of its authorized service stations, with transportation charges prepaid, and which its examination shall disclose to its satisfaction to have been thus defective; this warranty being expressly in lieu of all other warranties expressed or implied and of all other obligations or liabilities on its part, and SIMPSON ELECTRIC COMPANY neither assumes nor authorizes any other persons to assume for it any other liability in connection with the sale of its products.

This warranty shall not apply to any instrument or other article of equipment which shall have been repaired or altered outside the SIMPSON ELECTRIC COMPANY factory or authorized service stations, nor which has been subject to misuse, negligence or accident, incorrect wiring by others, or installation or use not in accord with instructions furnished by the manufacturer.

EXTRA 260® ACCESSORIES AVAILABLE

HIGH VOLTAGE PROBES

25,000 VOLTS \$10.75

50,000 VOLTS 12.50

CARRYING CASES

LEATHER CARRYING CASE FOR 260® (No. 1818)\$8.50

EVEREADY VINYL PLASTIC CARRYING CASE FOR 260® (No. 4236)\$9.75

Simpson ELECTRIC COMPANY

5200 Kinzie St., Chicago 44, Illinois • Phone: ESTebrook 9-1121

In Canada: Bach-Simpson, Ltd., London, Ontario



IAC DU FLAMBEAU PLANT
WISCONSIN



LAKE STREET PLANT
CHICAGO



KINZIE STREET PLANT
CHICAGO



AURORA PLANT
AURORA, ILL.