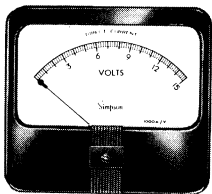


Simpson panel instruments...



4 1/2" RECTANGULAR

1325 STOCK TYPES

... plus **HUNDREDS MORE**, custom-built
from standing tools ✕

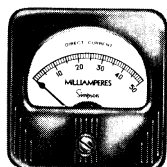
INSTRUMENTS THAT STAY ACCURATE

* Send us your special meter requirements today. Let our top-flight engineers work out solutions or make recommendations best suited to your needs.

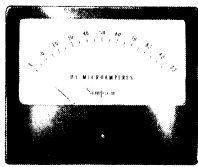
Simpson ELECTRIC COMPANY

5200 West Kinzie St., Chicago 44, Ill. Phone: ES1ebrook 9-1121
In Canada: Bach-Simpson, Ltd., London, Ontario

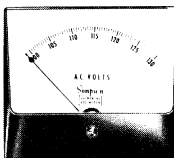
YOUR ELECTRONIC PARTS DISTRIBUTOR
HAS HUNDREDS IN STOCK!



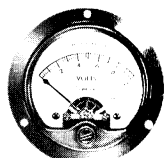
2 1/2" RECTANGULAR
ACCURACY: ± 2%



6" RECTANGULAR
ACCURACY: ± 2%



1 1/2", 2 1/2", 3 1/2", 4 1/2"
WIDE VUE
ACCURACY: ± 2%



2 1/2" or 3 1/2" ROUND
ACCURACY: ± 2%



EDGEWISE
ACCURACY: DC ± 2%
SCALE LENGTH: 1 7/8"



ELAPSED TIME INDICATOR
110/220 VOLTS

See the Simpson
ADD-A-TESTER ADAPTERS
they will increase the
versatility of your
260 or 270 VOM'S.

TRANSISTOR TESTER
Model 650 \$26.95
DC VTVM
Model 651 \$37.95
TEMPERATURE TESTER
Model 652 \$38.95
AC AMMETER
Model 653 \$18.95
AUDIO WATTMETER
Model 654 \$18.95
MICROVOLT ATTENUATOR
Model 655 \$18.95
BATTERY TESTER
Model 656 \$19.95
MILLIOHMMETER
Model 657 \$39.95
DC AMMETER
Model 661 \$17.95

OPERATOR'S MANUAL

VOLT-OHM-MILLIAMMETER 270 SERIES 2

Courtesy of:
Simpson260.com

SIMPSON ELECTRIC COMPANY

5200 W. Kinzie St., Chicago, Illinois 60644
Area Code 312, Telephone 379-1121
In Canada, Bach-Simpson, Ltd., London, Ontario

Copyright 1963 - Simpson Electric Co.,
7-64-UMO-B & L Rev. 3

Printed in U.S.A.
Part #1-110232

SECTION I

GENERAL DESCRIPTION

The 270 Series 2 is a rugged, accurate, compact, easy to operate instrument. It is used to measure electrical characteristics of circuits and circuit components. It indicates quantity measurements for D.C. and A.C. voltages, D.C. currents, resistances, decibels and output voltages.

The 270 Series 2, is an improved version of the dependable 270. It incorporates a completely new, rugged, self-shielded, high torque, high flux annular meter movement with mirrored dial plus protective diode. The annular movement in addition to being self-shielded, is also equipped with spring backed jewel screws. This type of jewel allows the instrument to withstand more abuse due to shock and vibration without increasing the frictional error.

The 270 also incorporates a special calibration circuit to increase its accuracy. This allows us to provide you with more accurate unit to begin with. Should the unit get out of adjustment it facilitates its return to the original factory accuracy.

The 270 has predictable temperature response on all ranges and uses gold bonded germanium diodes on the A.C. ranges to provide higher precision and stability over a wide temperature range.

The 270 has been designed to utilize the most modern components and circuit techniques. It is manufactured by skilled workmen, using high quality materials, in our

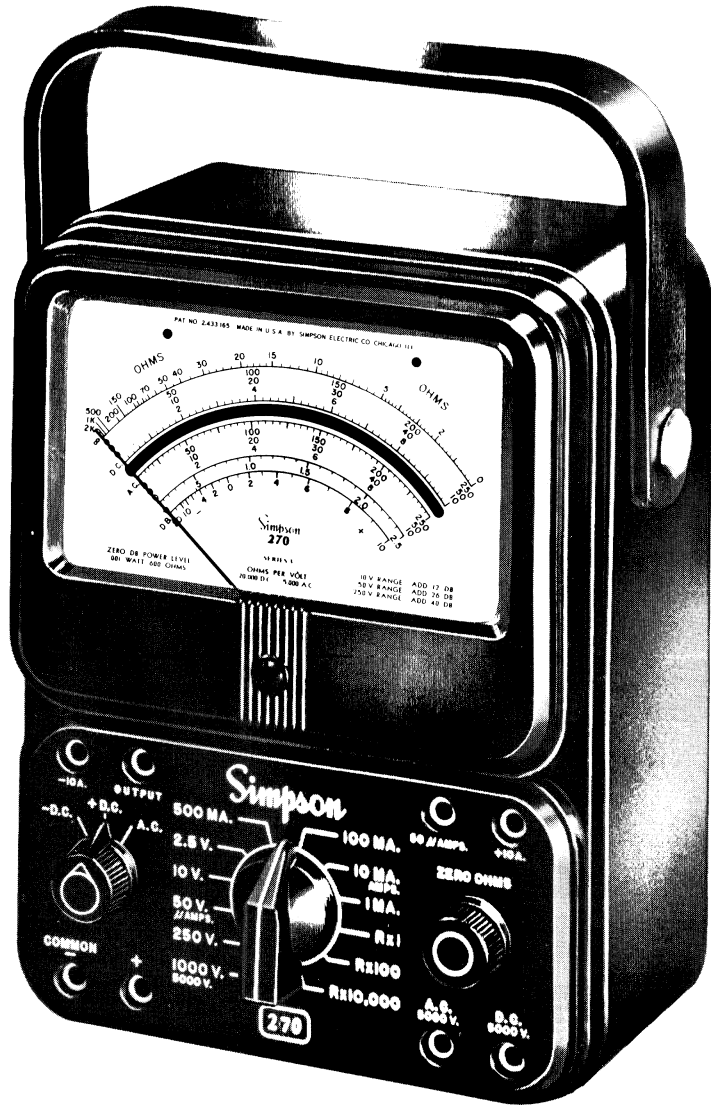


FIG. 1. SIMPSON VOLT-OHM-MILLIAMMETER 270 SERIES 2

General Description

modern plants, where we use the best machines, tools and test equipment that money can buy. It will, therefore, take considerable abuse and still continue to function. However, it does contain a very precise instrument movement and therefore, we urge that you treat it with the care it deserves. If you will keep it clean, free from continuous severe vibration, avoid dropping it and subjecting it to high electrical overloads; the 270 will give you many years of trouble-free dependable service.

PHYSICAL

FRONT PANEL

The instrument has a large easy-to-read $4\frac{1}{2}$ " meter at the top of the front panel. Below the meter are three operating controls and eight circuit jacks. All switch positions and circuit jacks are deeply engraved with white lettering on black phenolic to insure long time readability.

RANGE SWITCH

The range switch, in the center of the lower part of the front panel, has 12 positions. It may be turned in either direction to obtain any desired range and circuit position. There are six voltage ranges for D.C. and six for A.C., six ranges for direct current, and three resistance ranges.

FUNCTION SWITCH

The function switch is located at the left hand side of the lower part of the front panel. It has three positions: -D.C., +D.C., and A.C. When direct current, D.C. voltage, or resistance is to be measured, the function switch may be

General Description

set at -D.C. or +D.C., depending on the polarity of current or voltage. Reversing the test lead connections without removing them from the circuit under test is accomplished by using the function switch.

ZERO OHMS

The control at the lower right on the panel is marked ZERO OHMS. This variable resistance in the ohmmeter circuit is used to compensate for the aging of the internal batteries. Use it to adjust the meter indication to zero (at the right end of the scale) with the test leads shorted together whenever the ohmmeter circuit is used.

CIRCUIT JACKS

There are eight jacks, two being located in each corner of the front panel. These are the connection points for the test leads. Plug the prods of the test leads into the proper jacks to obtain the circuit and range desired for each application.

At the lower left are COMMON - and + jacks. These are the jacks that will be used most. Connect the black test lead to COMMON - for all circuits and ranges except 10 amperes D.C. Connect the red test lead to the + jack for all circuits and ranges except those designated by the other circuit jacks.

Across the top of the panel are jacks marked -10 A., OUTPUT, 50μ AMPS, and +10 A. For all audio frequency output voltage ranges, use the red test lead connected to the OUTPUT jack. For the 50 microampere or 250 milli-

General Description

volt D.C. range, use the red test lead connected to the 50 μ AMPS jack. For the 10 ampere D.C. range, use the black test lead in the -10 A. jack and the red test lead in the +10 A. jack.

PRINTED CIRCUIT

Conforming to the latest engineering developments, almost all the component parts of the Simpson 270 are mounted on a printed circuit. This simplifies assembly, reduces maintenance, and extends the useful life of the instrument (See page 28 for removal instructions).

PHENOLIC CASE

The Simpson 270 is housed in a heavy black phenolic case. It is molded with heavy reinforced walls for maximum durability. All the component parts in the 270 are attached or mounted to the front panel: the entire instrument slips into and out of the case in one piece.

ADJUST-A-VUE HANDLE

The comfortable handle is attached on each side of the instrument case. The handle may be used to support the instrument in a convenient sloping position for easy viewing on the bench top. Of course, the 270 can also be placed in either a vertical or horizontal position (see note on page 9).

TEST LEADS

Each Simpson Volt-Ohm-Milliameter 270 is furnished with one pair of four-foot test leads. One lead is black and the other red for easy polarity identification.

General Description

The wire is very finely stranded and extra-flexible. Its insulation is a special high-grade rubber which has far more insulation strength than the highest voltages to which your instrument will ever be subjected.

TEST LEAD INSPECTION

Periodic inspection of the test leads is recommended to detect cuts, burns or other damage that could reduce the insulation strength of the leads. When replacement is indicated, ask your local distributor for catalog number 7500.

OVERLOAD PROTECTION

Your 270 has been designed to minimize the possibility of accidental damage due to overloads. Specially produced diodes protect the movement from burn-out or mechanical damage such as bent pointer even with 1000 times the normal current applied.

In addition a fuse is provided to help protect the circuitry from damage due to overloads. This protective combination will prevent serious damage to your 270 in most cases of accidental misuse. However, no overload protection system is completely foolproof, and misapplication on high voltage circuits can damage any VOM protected or not. Care and caution should always be exercised to protect both you and your 270.

SIZE AND WEIGHT

The 270 measures 5-1/4" x 7" x 3-1/8". It weighs 3-1/4 pounds.

**ELECTRICAL
MEASUREMENT RANGES**

D.C. VOLTAGE	ACCURACY AT 77°F	ACCURACY 67-87°F
Sensitivity; 20,000 ohms-per-volt		
0- 250 millivolts	1.25%	1.75%
0- 2.5 volts	1.25%	1.75%
0- 10 volts	1.25%	1.75%
0- 50 volts	1.25%	1.75%
0- 250 volts	1.25%	1.75%
0- 1000 volts	1.25%	1.75%
0- 5000 volts	2.25%	2.75%

A.C. VOLTAGE	ACCURACY AT 77°F	ACCURACY 67-87°F
Sensitivity; 5,000 ohms-per-volt		
0- 2.5 volts	2.0%	3.0%
0- 10 volts	2.0%	3.0%
0- 50 volts	2.0%	3.0%
0- 250 volts	2.0%	3.0%
0- 1000 volts	2.0%	3.0%

DIRECT CURRENT	ACCURACY AT 77°F	ACCURACY 67-87°F
0- 50 microamperes	.75%	1.25%
0- 1 milliampere	1.25%	1.75%
0- 10 milliamperes	1.25%	1.75%
0- 100 milliamperes	1.25%	1.75%
0- 500 milliamperes	1.25%	1.75%
0- 10 amperes	1.25%	1.75%

**ELECTRICAL
MEASUREMENT RANGES**

D.C. RESISTANCE	ACCURACY AT 77°F	ACCURACY 67-87°F
R x 1 for 0-2000 ohms (12 ohms center)	1.5° of arc	1.75° of arc
R x 100 for 0-2000,000 ohms (1200 ohms center)	1.0° of arc	1.25° of arc
R x 10,000 for 0-20 megohms (120,000 ohms center)	1.0° of arc	1.25° of arc

A.F. OUTPUT VOLTAGE
With 0.1μf internal series capacitor

0- 2.5 volts
0- 10 volts
0- 50 volts
0- 250 volts

VOLUME LEVEL IN DECIBELS
With zero DB equal to 1 milliwatt across a 600 ohm line

-20 to +10 DB
8 to +22 DB
6 to +36 DB
+20 to +50 DB

Accuracies are guaranteed when the 270 is used with the meter dial in a horizontal plane.

General Description

In summary, the change in accuracy with a 10° Fahrenheit temperature change from 77°F. is $\pm\frac{1}{2}\%$ on DC and $\pm 1\%$ on AC. These accuracy changes are linear over this temperature range, being $\pm 0.05\%$ per °F. on DC and $\pm 0.1\%$ per °F. on AC.

In order to apply the temperature correction factors indicated above, the temperature of the electrical elements of the 270 must be known. It can be assumed that this temperature is that of the area in which the 270 is being used if it has been in this area (or another area of very nearly equal temperature) for a period of at least four hours. This time lapse can be materially reduced by the removal of the 270 from its case and providing rapid air flow around the electrical elements.

The 270 has a 100 degree dial with the D.C. scale divided into equal intervals of 2 degrees each. The accuracies stated as "x% of full scale value" can be directly visualized as " $\frac{x}{2}$ divisions of DC scale." For example, "2% c FS" is equivalent to saying "1 division of DC scale." This is an exact method when measuring DC and close enough for practical purposes on the ohms, AC, and db scales.

General Description

INTERNAL BATTERIES

There are five 1.5 volt batteries inside the instrument. These are used for the ohmmeter circuits. One large cell is used to furnish 1.5 volts for the R x 1 and R x 100 ranges. Four smaller cells are added in series to furnish 7.5 volts for the R x 10,000 range.

Each battery is held in place with two special spring clips which also serve as battery contacts. The polarity symbols are marked on the panel. Always observe polarity when replacing batteries.

FREQUENCY RESPONSE

Your Simpson 270 has an excellent frequency response for A.C. and A.F. voltage measurements. It is essentially "flat" through the range from 20 cycles per second up to 30,000 cycles per second. See pages 17 and 19 for frequency response curves.

TRANSPORT

It is advisable to shunt the meter movement during transport. This is readily achieved by setting the function switch at D.C. and the range switch at 500MA.

OPERATING INSTRUCTIONS

CAUTION

Connecting test leads to an energized circuit can present personal and/or equipment hazards. Turn off power before attaching or removing test leads in or adjacent to high voltage circuits. This procedure applies particularly to a current measurement in an inductive circuit due to the presence of higher than normal voltages if the current circuit is opened.

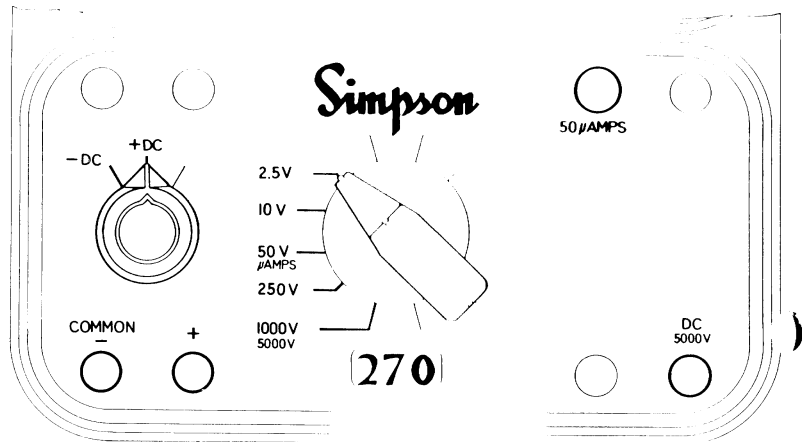


FIG. 2 CONTACTS AND SWITCH POSITIONS FOR D.C. VOLTS

ADJUST POINTER FOR ZERO

Before any measurements are made, check to see that the pointer indicates zero when the meter is in its operating position. If the pointer is off zero, adjust the screw located in the phenolic case below the center of the meter scale, as shown in Figure 1. Use a small screwdriver to turn this screw slowly clockwise or counterclockwise until the pointer is exactly over the zero mark at the left side of the scale.

D.C. VOLTAGE MEASUREMENTS,
0-250 MILLIVOLT RANGE ONLY

1. Set the function switch at +D.C.
2. Connect the black test lead in the COMMON - jack and the red test lead in the 50 μ AMPS jack.
3. Set the range switch at 50 μ AMPS (common position with 50 V.).
4. Connect the black test lead to the negative side of the circuit to be measured, and the red test lead to the positive side of the circuit.
5. Turn on power. If meter deflects to left of zero, turn off power and reverse the test lead connections. Then turn on power again.
6. Read the voltage on the black arc marked D.C., and use the figures marked 0-250; read directly in millivolts.
7. Turn off power in the circuit which is being measured before disconnecting meter leads.

Operating Instructions

D.C. VOLTAGE MEASUREMENTS, 0 – 1000 VOLTS

1. Set the function switch on the left hand side of the front panel at +D.C.
2. Plug the black test lead into the COMMON – jack and the red test lead into the + jack.
3. Set the range selector switch in any of the five voltage range positions. These are marked 2.5 V., 10 V., 50 V., 250 V., and 1000 V. When in doubt as to the voltage present, always use the highest voltage range as a protection to the instrument. Observe the meter reading. If the voltage is within a lower range, the switch may be set for the lower range to obtain a more accurate reading.
4. Connect the black test lead to the negative side of the circuit to be measured and the red test lead to the positive side of the circuit.
5. Turn on the power in the circuit to be tested. If the pointer deflects to the left of zero, the anticipated polarity is opposite the actual circuit polarity. Turn off the power in the circuit which is being tested. Set the function switch at –D.C., and turn on the power again. This will correct the polarity as applied to the meter.
6. Read the voltage on the black arc marked D.C. which is second from the top of the dial.

For the 2.5 V. range, use the 0–250 figures and divide by 100.

For the 10 V., 50 V., and 250 V. ranges, read the figures directly on the scale.

For the 1000 V. range, use the 0–10 figures and multiply by 100.

Operating Instructions

7. Turn off the power in the circuit which is being measured before disconnecting meter leads.

D.C. VOLTAGE MEASUREMENTS, 5000 VOLT RANGE

WARNING

Be extremely careful when working in high voltage circuits. Do not touch the meter or test leads while power is on in the circuit being measured.

1. Set the function switch at + D.C.
2. Set the range selector switch at 5000 V.
3. Connect the black test lead into the COMMON – jack and the red test lead into the D.C. 5000 V. jack.
4. Be sure power is off in the circuit to be measured and all capacitors have been discharged; connect the black test lead to the negative side of the circuit to be measured and the red test lead to the positive side of the circuit.
5. Turn on the power in the circuit. Do not touch the meter or test leads. If the pointer deflects to the left side of zero, the anticipated polarity is opposite the actual circuit polarity. Turn off the power in the circuit being tested. Set the function switch at –D.C., and turn on the power again. This will correct the polarity as it is applied to the meter.
6. Read the voltage using the 0–50 figures on the black arc which is second from the top of the scale. Multiply the reading by 100.
7. Turn off the power before disconnecting the test leads.

NOTE: To measure higher D.C. Voltage, see section IV for high voltage accessory probes.

Operating Instructions

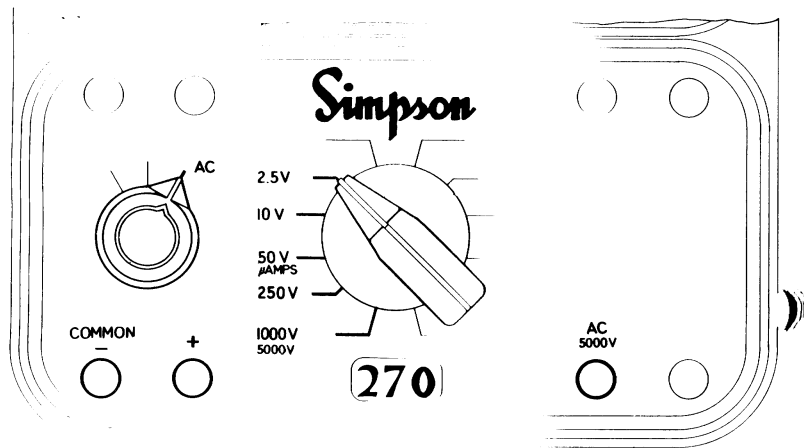


FIG. 3 CONTACTS AND SWITCH POSITIONS FOR A.C. VOLTS

MEASURING A.C. VOLTAGES TO 1000 VOLTS

The Simpson Volt-Ohm-Milliammeter 270 measures A.C. voltage in terms of the R.M.S. value of a sine wave. This is accomplished by using two germanium diodes in a modified full wave bridge circuit.

The 270 has been especially designed to give a wide frequency response, making it useful over a range from 20 cycles per second to 200,000 cycles per second. The curve which follows shows the response of the 2.5, 10, and 50 volt ranges.

1. Set the function switch at A.C.
2. Set the range selector switch in any of the five voltage range positions, marked 2.5 V., 10 V., 50 V., 250 V., and 1000 V. **When in doubt as to the voltage present,**

Operating Instructions

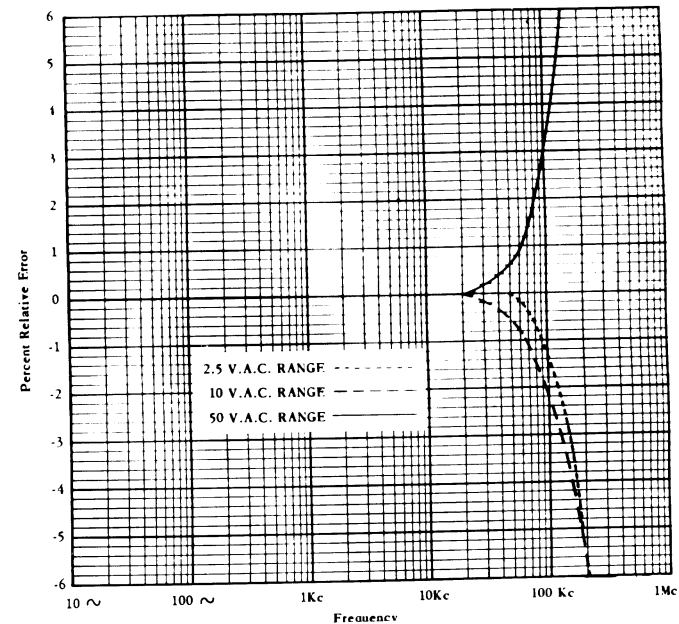


FIG. 4 FREQUENCY RESPONSE FOR 270 SERIES 2

- always use the highest voltage range as a protection to the instrument. Observe the meter reading. If the voltage is within a lower range, the switch may be set for the lower range to obtain a more accurate reading.**
3. Plug the black test lead into the COMMON - jack and the red test lead into the + jack.
 4. Be sure power is turned off in the circuit to be measured and connect the test leads across the voltage source.
 5. Turn on the power in the circuit to be measured.

For the 0-2.5 V. range, read the value directly on the special arc marked 2.5 V.A.C. ONLY.

Operating Instructions

For the 10 V., 50 V., and 250 V. ranges, read the red arc marked A.C., and use the red figures directly below the arc.

For the 1000 V. range, read the red arc marked A.C.; use the 0–10 figures and multiply by 100.

MEASURING A.C. VOLTAGE TO 5000 VOLTS

WARNING

Be extremely careful when working in high voltage circuits. Do not touch the meter or test leads while power is on in the circuit being measured.

1. Set the function switch at A.C.
2. Set the range selector switch at 5000 V.
3. Connect the black test lead into the COMMON – jack and the red test lead into the A.C. 5000 V. jack.
4. Be sure the power is off in the circuit to be measured and that all its capacitors have been discharged. Connect the test leads into the circuit.
5. Turn on the power in the circuit to be measured. Do not touch the meter or test leads.
6. Read the voltage on the red arc marked A.C.; use the 0–50 figures and multiply by 100.
7. Turn off the power before disconnecting the test leads.

MEASURING OUTPUT VOLTAGES

An output voltage is the A.C. component only, when there is a mixture of A.C. and D.C. voltages. This occurs mostly in amplifier circuits.

Operating Instructions

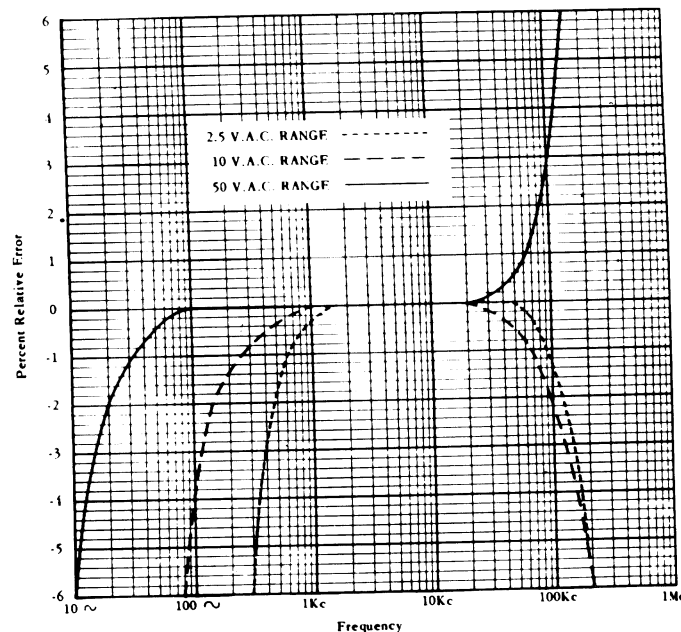


FIG. 5 FREQUENCY RESPONSE FOR OUTPUT MEASUREMENTS

The 270 has a capacitor in series with the OUTPUT jack. This blocks the D.C. component of the current in the measuring circuit, but allows the A.C., or desired component, to pass on to the meter circuit. The blocking capacitor placed in series with the A.C. voltage measuring circuits alters the A.C. response. The above curves show the frequency response of the 2.5, 10, and 50 volt ranges.

1. Set the function switch on the left hand side of the front panel at A.C.
2. Connect the black test lead in the COMMON – jack and the red test lead in the OUTPUT jack.

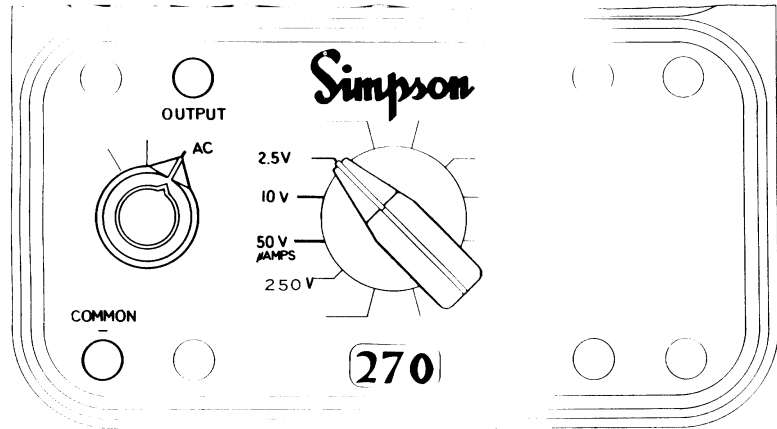


FIG. 6 CONTACTS AND SWITCH POSITIONS FOR OUTPUT

3. Set the range selector switch at the desired range position. These are marked 2.5 V., 10 V., 50 V., and 250 V.
4. Connect the black test lead to the grounded side of the circuit to be measured, and the red test lead to the "hot" side.
5. Turn on the power in the circuit. Read the output voltage on the A.C. voltage arcs of the dial.
 - For the 2.5 V. range, read the value directly on the special arc marked 2.5 V.A.C. ONLY.
 - For the 10 V., 50 V., and 250 V. ranges, use the red arc marked A.C., and use the red figures directly below the arc.
6. Turn off the power in the circuit before disconnecting the leads.

MEASURING DECIBELS

For some applications, output voltages and audio frequency voltages are frequently measured in terms of decibels. The decibel scale (DB), at the bottom of the dial, is numbered from -20 through 0 to +10.

To measure decibels, read the DB arc after proceeding according to instructions for A.C. voltage measurements.

The DB readings obtained will be correct on an absolute scale if you are using a 0 DB power level of 0.001 watt in 600 ohms, and if the voltage which you read was measured across 600 ohms.

To obtain absolute DB values across 600 ohms:

For the 10 V. range, read the DB arc and add +12 DB to the reading.

For the 50 V. range, read the DB arc and add +26 DB to the reading.

For the 250 V. range, read the DB arc and add +40 DB to the reading.

If the reference level is 0 DB = 0.006 watt in 500 ohms, subtract (+)7 DB from the reading to obtain the absolute value of decibels.

OHMMETER CIRCUIT

Internal batteries are used to provide power for resistance measurements. Since the batteries are subject to deterioration over long periods of time, there is a compensating

Operating Instructions

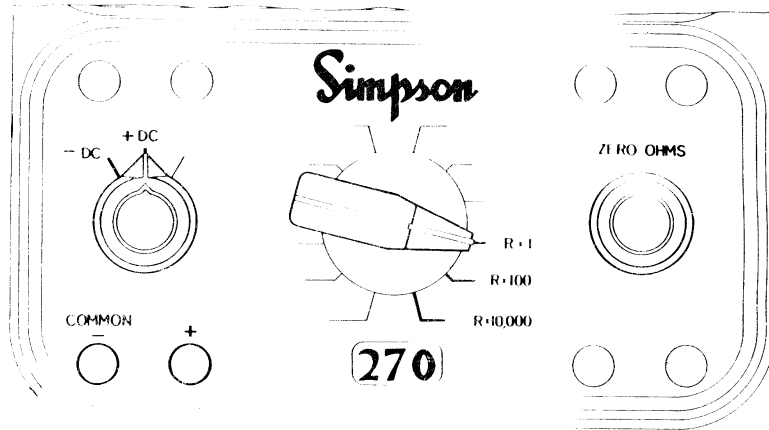


FIG. 7 CONTACTS AND SWITCH POSITIONS FOR RESISTANCES

circuit in the ohmmeter to make it possible to extend the useful life of the batteries.

ZERO OHMS ADJUST

Each time you use the ohmmeter circuit, check the zero indication on the meter before you measure any resistance. Check and adjust it each time you switch to a different range. To set the ZERO OHMS control, proceed as follows:

1. Set the range switch at one of the resistance range positions and the function switch at either -D.C. or +D.C.
2. Connect the black test lead in the COMMON - jack and the red test lead in the + jack.
3. Clip the contact end of the test leads together to short out the resistance circuit.

Operating Instructions

4. Observe the meter indication. It should read 0 on the right hand end of the OHMS arc, which is at the top of the dial.
5. If the pointer does not read 0, rotate the ZERO OHMS knob until it does. If you cannot bring the pointer far enough to read 0, one or more batteries need to be replaced.
6. When the pointer shows zero, unclip the shorted test leads; the ohmmeter circuit is now ready to measure resistance.

MEASURING RESISTANCES

To measure resistance, proceed as follows:

1. Set the range switch in one of the resistance range positions.
 - Use $R \times 1$ for resistance readings from 0 to 200 ohms.
 - Use $R \times 100$ for resistance readings from 200 up to 20,000 ohms.
 - Use $R \times 10,000$ for resistance readings above 20,000 ohms.
2. Set the function switch at either -D.C. or +D.C.
3. Connect the black test lead in the COMMON - jack and the red test lead in the + jack.
4. Short the test leads together and adjust for zero ohms (see instructions above).
5. Separate the test leads and connect them across the resistance which is to be measured. If there is a "for-

Operating Instructions

ward" and backward" resistance such as in semi-conductor rectifiers, switch back and forth between the two D.C. positions of the function switch to reverse this polarity.

NOTE

The resistance of such rectifiers will measure different values on different resistance ranges of the 270. Thus, a crystal diode which measures 80 ohms on the R x 1 range may measure 300 ohms on the R x 100 range. This is normal and is a result of the diode characteristic. The difference in values does not indicate any fault in the ohmmeter.

6. Read the indication on the OHMS arc at the top of the dial. Note that this arc reads from right to left for increasing values.
7. Multiply the reading by the multiplier factor at the switch position for the resistance value in ohms. "K" on the dial stands for "thousand".
8. Resistance measurements in transistor circuits should be made only after the transistor has been isolated from the circuit.

MEASURING DIRECT CURRENTS, 0 TO 50 MICROAMPERES

CAUTION

Never connect the test leads directly across any voltage when the 270 is used as a current meter,

Operating Instructions

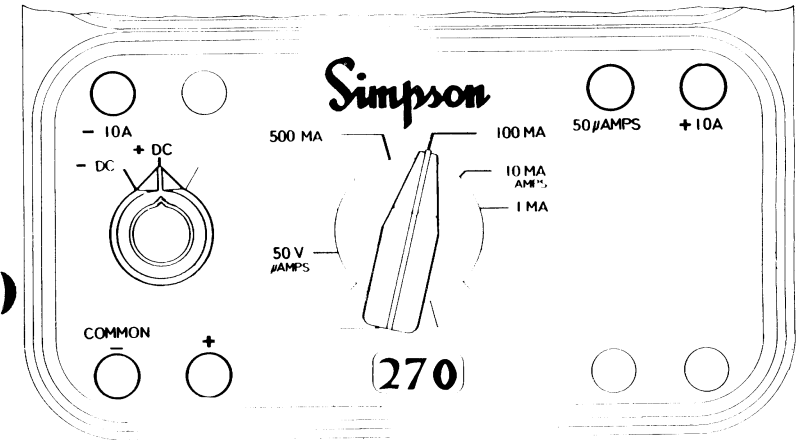


FIG. 8 CONTACTS AND SWITCH POSITIONS FOR DIRECT CURRENTS

except when it is used as a 0–250 millivoltmeter. This would damage the instrument. Always connect the meter in series with the load across the voltage source.

1. Set the function switch at +D.C.
2. Connect the black test lead in the COMMON - jack and the red test lead in the 50 μAMPS jack.
3. Set the range switch at 50 μAMPS (common position with 50 V.).
4. Open the circuit in which the current is to be measured. Connect the meter in series with the circuit. Connect the red test lead toward the positive side, and the black test lead toward the negative side of the circuit.
5. Turn on the power in the circuit which is to be measured. Observe the meter. If the pointer is deflected to

Operating Instructions

the left, the current polarity is opposite to that which was anticipated. Turn off the power and reverse leads.

6. Read the current directly on the black D.C. arc. Use the 0–50 figures. The current value is shown in micro-amperes.
7. Turn off the circuit power. Remove the test leads and restore the circuit continuity.

MEASURING DIRECT CURRENTS, 0 TO 500 MILLIAMPERES

1. Set the function switch at +D.C.
2. Connect the black test lead in the COMMON – jack and the red test lead in the + jack.
3. Set the range switch in any of the four range positions required. These are marked 1 MA., 10 MA., 100 MA., and 500 MA.
4. Open the circuit which is to be measured. Connect the meter in series with the circuit. Connect the red test lead toward the positive side and the black test lead toward the negative side of the circuit.
5. Turn on the power in the circuit which is to be measured. Observe the meter. If the pointer is deflected to the left, the current polarity is opposite to that which was anticipated. Turn off the power, set the function switch at –D.C., and then turn on the power again.
6. Read the current directly on the black D.C. arc.

For the 1 MA. range use the 0–10 figures and divide by 10.

For the 10 MA. range use the 0–10 figures directly.

Operating Instructions

For the 100 MA. range read the 0–10 figures and multiply by 10.

For the 500 MA. range read the 0–50 figures and multiply by 10.

The current values are in milliamperes.

7. Turn off the circuit power. Remove the test leads and restore circuit continuity.

MEASURING DIRECT CURRENTS, 0 TO 10 AMPERES

1. Connect the black test lead in the –10 A. jack and the red test lead in the +10 A. jack.
2. Set the range selector switch at 10 AMPS (common with 10 MA.).
3. Open the circuit which is to be measured. Connect the meter in series with the circuit. Connect the red test lead toward the positive side and the black test lead toward the negative side of the circuit.
4. Turn on the power in the circuit which is to be measured. Observe the meter. If the pointer is deflected to the left, the current polarity is opposite to that which was anticipated. Turn off the power, reverse the test lead connections, and turn on the power again.
5. Read the current directly on the black D.C. arc. Use the 0–10 figures. The current values are in amperes.
6. Turn off the circuit power. Remove the test leads and restore circuit continuity.

MAINTENANCE**HOW TO OPEN THE CASE**

The case of the Simpson Volt-Ohm-Milliammeter 270 has been designed to provide easy and quick access to the inside for all necessary adjustment and replacement of parts. Use a 1/4-inch screwdriver to remove the four screws through the bottom of the case. Then slip the entire front panel forward out of the case. The meter, the front panel, the printed circuit, and the batteries are all attached together and will come out as a unit.

BATTERY REPLACEMENT

There are five batteries inside the case of the 270. They are used to supply power for resistance measurements. One is a large size (#2, Size D) flashlight cell, and the other four are smaller (#Z) flashlight cells.

When it is no longer possible to bring the pointer to 0 for the R x 1 and R x 100 ranges (see ZERO OHMS ADJUST, page 22), replace the large cell with a fresh one. When it is no longer possible to bring the pointer to 0 on the R x 10,000 range, replace the four smaller cells with fresh ones. This will restore operation of the ohmmeter circuit.

BATTERY REPLACEMENT NOTE

When batteries reach the end of their useful life, they should be replaced promptly. Failure to do so may result in extensive damage to your 270, due to battery leakage, even though the battery may be advertised as "Leakproof".

OBSERVE POLARITY

When cells are replaced, be sure to observe the polarity of the battery circuit. The cells are each held in place with specially designed spring clips which also act as battery contacts. Battery polarity is shown on the panel.

SUB-PANEL PARTS PLACEMENT

Beneath each resistor on the printed circuit is its part number, as it is shown on the schematic diagram and in the parts list. This mark will eliminate any doubt which may arise as to the location of any of the resistors.

RECTIFIER REPLACEMENT AND RECALIBRATION

There are two small rectifiers which are located at the top of the printed circuit, near the large 1.5 volt cell. These are used to rectify the A.C. voltages for measurement. They are shown as D-1 and D-2 in the overall schematic diagram, Fig. 9.

Both rectifiers act in the meter circuit to effectively create a full wave rectifying action. If either or both should fail, the meter will show incorrect indications.

In case of rectifier failure, order a new rectifier from a Simpson Parts Depot (pages 39-42), specifying the part number as shown in the parts list. In order to maintain the accuracy of the 270, it is essential to replace rectifiers with the type furnished in the original unit.

Maintenance

After replacing either or both rectifiers, test the accuracy of A.C. voltage indications. If necessary, recalibrate the circuit by adjusting rheostats R-28 and R-31 as follows:

1. Set the function switch at A.C. and the range switch at 250 V.
2. Connect the red test lead in the + jack and the black test lead in the COMMON - jack.
3. From a standard voltage source, apply 250 volts A.C. to the red and black test lead. Adjust rheostat R-31 (which is next to the + meter stud on the printed circuit board) so the meter reads full scale. Turn power off.
4. Set the range switch to 2.5 V. Apply 2.5 volts A.C. to the red and black test leads. Adjust rheostat R-28 (which is next to R-31) so the meter reads full scale. Turn power off.

If no standard voltage supply is available for the above procedure, return your 270 to the Simpson Electric Company or an Authorized Warranty Repair Station for calibration.

RESISTOR REPLACEMENT

Most of the resistors for the Simpson 270 are on the rear of the printed circuit. This makes them easily accessible for trouble-shooting and repair.

When it is necessary to replace any of the resistors in the circuit, first obtain an exact equivalent resistor. The best way to do this is to order the resistor or resistors directly

Maintenance

from a Simpson Parts Depot (page 39), specifying the part number as shown in the parts list. Then clip the defective resistor off the printed circuit board, leaving the leads in the board to use as connections for the replacement.

Carefully twist the leads for the new resistor around the leads left from the defective resistor, and solder each connection. Trim away all excess and check that no shorts have developed due to the substitution.

REMOVING THE PRINTED CIRCUIT

When access is required to the under-side of the printed circuit, or to the parts which are located between it and the front panel, remove the printed circuit.

Use the following procedure:

1. Set the function switch at +D.C. and the range switch at 2.5 V.
2. Remove the knob for the ZERO OHMS control.
3. Remove the two screws through the lower part of the printed circuit board.
4. Remove the two hex nuts from the meter studs on the top of the printed circuit board.
5. Carefully pry out the battery contact at the + terminal for the small 1.5 volt cells. This is connected to the upper left hand corner of the printed circuit board with an orange lead.
6. Lift the printed circuit board away from the front panel. The entire board, with the switch wafers in place, will come up in one piece.

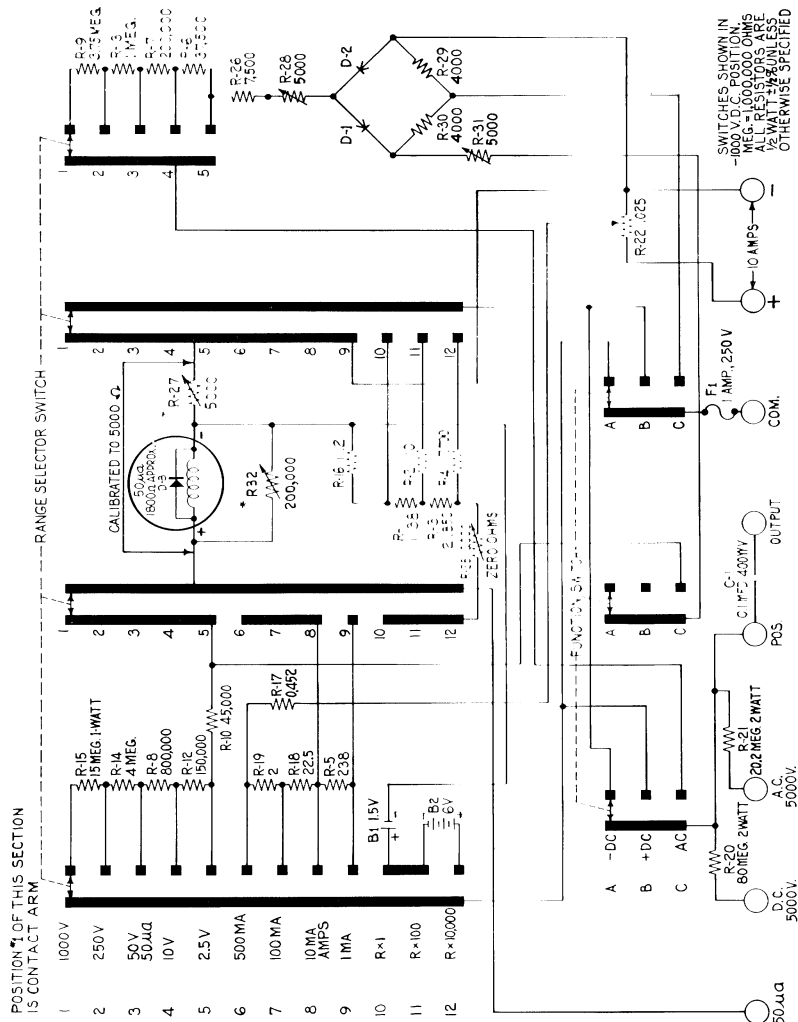


FIG. 9 OVERALL SCHEMATIC, SIMPSON VOLT-OHM-MILLIAMMETER 2, SERIES 2

7. After removal, do not turn knobs on front panel or move any rotors on switches until reassembled.

FUSE REPLACEMENT

Remove the front panel from the case and disconnect the burned-out fuse, using a small (60-watt or less) soldering iron. Replace with a 1 amp, 250 volt pigtail fuse, type 3AG or equivalent only.

PARTS LIST

Reference Symbol	Description	Simpson Part No.
R1	Resistor, 1138 ohms (all resistors $\pm 1/2\%$)	1-117141
R2	Resistor, 110 ohms	1-117142
R3	Resistor, 21,850 ohms	1-117143
R4	Resistor, 117,700 ohms	1-117144
R5	Resistor, 238 ohms (bobbin)	10-805075
R6	Resistor, 37,500 ohms	1-117145
R7	Resistor, 200,000 ohms	1-117146
R8	Resistor, 800,000 ohms	1-117147
R9	Resistor, 3.75 megohms	1-117135
R10	Resistor, 45,000 ohms	1-117148
R12	Resistor, 150,000 ohms	1-117149
R13	Resistor, 1 megohm	1-117150
R14	Resistor, 4 megohms	1-117151
R15	Resistor, 15 megohms	1-117136
R16	Resistor, 11.2 ohms (bobbin)	10-805073
R17	Resistor, 0.452 ohm (bobbin)	10-805027

Maintenance

Reference Symbol	Description	Simpson Part No.
R18	Resistor, 22.5 ohms (bobbin)	10-805076
R19	Resistor, 2 ohms (bobbin)	10-805077
R20	Resistor, 80 megohms	1-117138
R21	Resistor, 20.2 megohms	1-117137
R22	Resistor, 0.025 Shunt Assy., 10 amp	0-007093
R25	Potentiometer, 10,000 ohms $\pm 30\%$	1-115764
R26	Resistor, 7500 ohms	1-117152
R27	Rheostat, 5000 ohms $\pm 10\%$	1-116254
R28	Rheostat, 5000 ohms $\pm 10\%$	1-116254
R29	Resistor, 4000 ohms	1-117140
R30	Resistor, 4000 ohms	1-117140
R31	Rheostat, 5000 ohms $\pm 10\%$	1-116254
R32	Potentiometer 200K $\pm 20\%$	1-110193
C1	Capacitor, 0.1 μ f, 400 v.	1-113733
D1	Rectifier, Germanium	1-117139
D2	Rectifier, Germanium	1-117139
D3	Diode Silicon	1-110670
	Test lead set (one red and one black)	7500
	Phenolic case (less handle)	3-320141
	Carrying handle plastic cover	1-115316
	Knobs;	
	For Function switch	1-115789
	For Range switch (less set screw)	3-260180
	For Zero Ohms Adjust	1-115790
F1	Fuse, 1 amp, 250 volt, pigtail type 3AG or equivalent	1-117702

Maintenance

Reference Symbol	Description	Simpson Part No.
	Cover Assembly (This includes cover glass glazed into phenolic frame and associated hardware. NOTE - Standard glazing compounds can not be used for re-glazing)	0-005674
	Cell, 1½ V., #2, Size D	1-111798
	Cell, 1½ V., Size Z	1-111802
	Meter Assembly (This includes engraved panel, meter, dial, mirror, and cover assembly)	15-302270-2
	Carrying handle insert (aluminum handle without plastic covering)	3-810427
	Set screw (for knob 3-260180)	1-114178

SECTION IV

APPLICATIONS

SIMPLE CAPACITOR CHECKS

The ohmmeter circuit of the 270 can be used to identify good, open, and short conditions for many capacitors. Use the R x 10,000 range for best results.

A good capacitor will allow current to flow, deflecting the meter pointer, while it is charging up to the applied voltage. This produces a swing on the meter, with a gradual return of the pointer to infinity at the left hand side of the scale. The greater the capacity, the more the pointer will swing and the longer it will take for it to return to infinity.

If the capacitor is open, there will be no pointer deflection at the beginning of this test. Note that very small capacitors will have only a very slight deflection and a rapid return to infinity. Watch the meter closely when you test small capacitors.

If the capacitor is shorted, the pointer will not return to infinity. So when the pointer remains deflected on the ohms scale, and does not return, even slowly, this probably indicates a short in the capacitor.

Always reconfirm the results of these simple tests with more conclusive test equipment, or by replacement checks.

CAUTION: DISCHARGE CAPACITOR completely before connecting ohmmeter.

APPLICATIONS

ACCESSORY DC HIGH VOLTAGE PROBES

DC HIGH VOLTAGE TEST PROBES (20,000 OHMS PER VOLT)

PART NO. 0507

10,000 Volts DC

PART NO. 0508

25,000 Volts DC

PART NO. 0509

50,000 Volts DC

GENERAL DESCRIPTION

The DC high voltage probes extend the range of a 20,000 ohms per volt multimeter in a safe, convenient manner at nominal cost. Their primary purpose is the measurement of terminal potentials of very high voltage, very low power capacity, direct current sources, example of which are anode supplies used in television receivers and other cathode ray tube type circuitry.

The probe body is made of high temperature polystyrene in order to provide high dielectric strength and low leakage. It contains a high megohm precision resistor.

A shielded cable and internal probe shield is used to protect the operator from any possible flash-over and to ground any electrostatic charges that might accumulate on the probe body.

The internal shield and cable shield are connected to the ground return lead by a flexible copper braid between the two elbow connectors. A 48 inch ground return lead with an insulated clip completes the test lead set. No additional wires are needed.

The DC high voltage test probes are available at your local electronics parts distributors.

APPLICATIONS

The Volt-Ohm-Milliammeter, commonly called the Multimeter, has developed into one of the most valuable instruments in all electrical and electronic fields. The applications of the Multimeter are so numerous and varied that, without exception, they can be said to cover the entire field of electrical measurements.

Your 270 Multimeter has been carefully engineered to produce the most accurate, dependable and rugged instrument consistent with modern design techniques for the many applications in which it will be used. In view of the practically unlimited number of applications, it is suggested that text books be referred to regarding this subject in order to fully utilize the versatility of this instrument.

SIMPSON WARRANTY REPAIR STATIONS AND PARTS DEPOTS

**Arizona, Phoenix Metercraft Inc. 3308 N. 24th St. States: Arizona	Area Code 602 CRestwood 9-6249
California, San Diego Metermaster/San Diego, Inc. 5049 Weeks Avenue San Diego Area	Area Code 714 276-5202
California, Los Angeles Quality Electric Company 3700 South Broadway States: So. California below Fresno and Arizona	Area Code 213 ADams 2-4201
California, San Francisco Pacific Electrical Instrument Lab. 111 Main Street States: No. California above Fresno and Nevada	Area Code 415 Garfield 1-7185
**Canada Bach-Simpson Ltd. 1255 Brydges Street P.O. Box 484 London, Ontario Canada	Area Code 519 GLadstone 1-9490
Colorado, Denver Meter-Master Instrument Service 2145 S. Kalamath Street States: Wyoming, Colo., and New Mexico	Area Code 303 934-4601 934-4069
Connecticut, New Haven Kaufman Instrument Labs Inc. 810 Dixwell Avenue States: Connecticut	Area Code 203 SPruce 6-7201
Florida, Orlando Electro Tech Inc. Florida Division 307-27th Street States: Florida	Area Code 305 GArden 3-5589
Georgia, Atlanta Electro-Tech Inc. 690 Murphy Ave. S. W. States: Alabama, Georgia and Tenn.	Area Code 404 758-7205

**Illinois, Chicago Simpson Electric Company 5200 W. Kinzie Street	Area Code 312 379-1121	**New Mexico, Albuquerque 87108 Western Instrument Lab. Inc. 4401 Coal Avenue S. E. States: New Mexico	Area Code 505 243-3693
*Illinois, Chicago Pacific Indicator Company 5217 W. Madison Street States: Chicago, Wisconsin and Indiana	Area Code 312 COLumbus 1-1330	New York, Buffalo Electrical Instrument Labs. 932 Hertel Avenue States: New York State Except Met. New York	Area Code 716 EXport 2-2726
**Kansas, Shawnee Mission Sturtz Instrument Co. 4705 Mission Road States: Kansas	Area Code 913 SKyline 1-4711	New York, Great Neck, Long Island Simpson Instrument Sales & Service, Inc. 130 Cutter Mill Road Sales: Met. New York	Area Code 212 Murray Hill 3-0674 Area Code 516 Hunter 2-3103
Louisiana, New Orleans Industrial Instrument Works 3328 Magazine Street States: Arkansas, Mississippi and Louisiana	Area Code 504 TWinbrook 5-5621	New York, Long Island City A & M Instrument Inc. 48-01 31st Avenue States: Met. New York	Area Code 212 RAvenswood 6-4343
Massachusetts, Cambridge Alvin S. Mancib 363 Walden Street States: Vermont, New Hampshire, Massachusetts Rhode Island and Maine	Area Code 617 UNiversity 4-2494	**New York, Syracuse Syracuse Instrument Lab. 4895 South Avenue Box 96	Area Code 315 HYatt 2-1651
Michigan, Detroit Ram Meter Inc. 1100 Hilton Road Ferndale States: Michigan	Area Code 313 LIncoln 7-1000	**New York, Vestal Compton Industries Inc. 333 Vestal Parkway East P.O. Box 351 States: Up-State New York	Area Code 607 PI 8-3349
Minnesota, Minneapolis Instrumentation Services Inc. 917 Plymouth Avenue N. States: Minnesota, North, South Dakota and Nebraska	Area Code 612 JA 1-8803	North Carolina, Charlotte Electro-Tech Inc. 3107 Cullman Avenue (Carolina Division) States: North and South Carolina	Area Code 704 333-0326
Missouri, St. Louis Scherrer Instruments 5449 Delmar Blvd. States: Illinois below Peoria, Iowa, Missouri	Area Code 314 FOrest 7-9800	Ohio, Cleveland Weschler Electric Company 4250 W. 130th Street States: Ohio and Kentucky	Area Code 216 CLearwater 1-4609
New Jersey, Riverdale A & M Instrument Service, Inc. 11 Hamburg Turnpike States: N. Jersey	Area Code 609 MARKet 4-7757	**Ohio, Cleveland Pioneer Electronic Supply Div. of Pioneer Standard Electronic Corp. 5403 Prospect Avenue	Area Code 216 432-0010

****Ohio, Dayton**
 SREPCO Electronics Div. of
 Pioneer Standard Electronic Corp.
 314 Leo Street

Area Code 513
 Baldwin 4-3871

****Oklahoma, Tulsa**
 Tri-State Instrument Lab.
 3244 East 15th Street
 States: Oklahoma

Area Code 918
 WE 6-0489

****Oregon, Portland**
 The Instrument Laboratory
 1910 N. Killingsworth St.
 States: Oregon

Area Code 503
 BELmont 4-6683

Pennsylvania, Philadelphia
 Sunshine Scientific Instrument
 1810 Grant Avenue
 States: Penn., Md., New Jersey below Trenton,
 Delaware

Area Code 215
 ORchard 3-5600

*****Texas, Dallas**
 Ultra Instrument Laboratories
 3515 Swiss Avenue, Suite 117
 States: Oklahoma, Texas

Area Code 214
 TAYlor 6-6395
 6-6396

Utah, Salt Lake City
 Stabro Laboratories, Inc.
 23 Kensington Avenue
 States: Utah, Southern Idaho

Area Code 801
 IN 7-8011

Virginia, Falls Church
 United Instrument Lab. Inc.
 102 Jefferson St.
 States: West Virginia, Virginia

Area Code 703
 JEFFerson 2-4123

****D. C., Washington**
 Electronic Wholesalers, Inc.
 2345 Sherman Avenue N. W.
 Washington, D. C. Area

Area Code 202
 Phone: HU 3-5200

Washington, Seattle
 The Instrument Lab. Inc.
 934 Elliott Avenue West
 States: Oregon, Washington
 Idaho and Montana

Area Code 206
 ATwater 3-5850

- * Parts Depots only; no repairs.
- ** Repair Stations only - no resale of parts.
 (All other stations repair instruments and sell repair parts)
- *** Parts Sales - Texas, Oklahoma
 Repair -- Texas only.

DON'T INVEST IN TEST EQUIPMENT 'TIL YOU COMPARE FEATURES WITH THE

NEW Simpson LABORATORY LINE

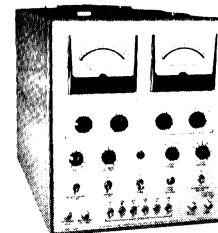


PULSE GENERATOR . . . model 2620

*No Unit Offers Such Accuracy, Versatility,
 and Set-Up Speed Within This Price Range*

Twin meters read pulse repetition frequency and pulse duration simultaneously. Rise time is 0.02 microseconds, decay time, 0.03 microseconds. Pulse duration, continuously variable from 0.1 to 1000 microseconds. Jitter, less than 0.005 microseconds. Pulse repetition rate, continuously variable from 10 to 100,000 pps in four ranges. Price **\$625**

WRITE FOR COMPLETE SPECIFICATIONS

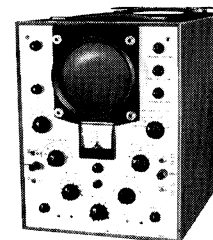


WIDE-BAND OSCILLOSCOPE . . . model 2610

*For the 1001 Jobs Where You Don't Need
 an Expensive Specialized Scope*

Here's a high gain scope that makes your test equipment appropriation go farther. Vertical sensitivity, 6 mv RMS. Vertical calibration accuracy, $\pm 3\%$. Response (linear position): DC to 5.0 mc/sec ± 0.4 db; DC to 8.0 mc/sec, ± 1.5 db; Response (transient position): DC to 3.5 mc/sec, ± 3 db, and ± 6 db at 5.0 mc/sec. Triggered and recurrent sweeps. Precalibrated sweep positions of 1, 10, 100, 5000 microseconds. Price **\$575**

WRITE FOR COMPLETE SPECIFICATIONS



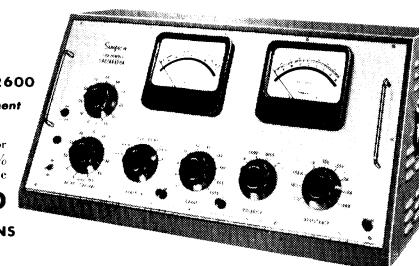
LABORATORY STANDARD

VOLT-OHM-MILLIAMMETER . . . model 2600

*A Self-Powered Calibrator for Electrical Instrument
 Maintenance and High Accuracy Testing*

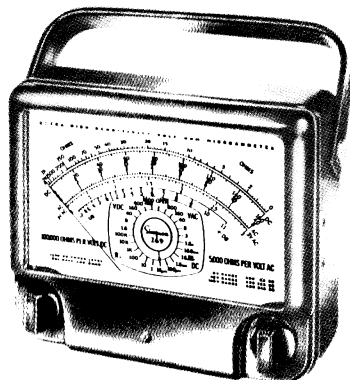
Two terminal connections cover all 19 ranges for unusually fast operation. DC accuracy is $\pm 0.5\%$ F.S.; AC, $\pm 0.75\%$ F.S. (at 77°F, 25°C). Separate meters (self shielded movements) for DC and AC readings. Price **\$1620**

WRITE FOR COMPLETE SPECIFICATIONS



MODEL 269

**100,000
Ohms
per volt!**



Most sensitive VOM

available! A Volt-Ohm-Microammeter with a big 7" meter in a compact 7" case... 33 ranges... Adjust-A-Vue Handle ...
price complete..... **\$89.95**

Carrying Case **\$ 9.95**

WARRANTY

SIMPSON ELECTRIC COMPANY warrants each instrument and other articles of equipment manufactured by it to be free from defects in material and workmanship under normal use and service, its obligation under this warranty being limited to making good at its factory any instrument or other article of equipment which shall within 90 days after delivery of such instrument or other article of equipment to the original purchaser be returned intact to it, or to one of its authorized service stations, with transportation charges prepaid, and which its examination shall disclose to its satisfaction to have been thus defective. This warranty being expressly in lieu of all other warranties expressed or implied and of all other obligations or liabilities on its part, and SIMPSON ELECTRIC COMPANY neither assumes nor authorizes any other persons to assume for it any other liability in connection with the sale of its products.

This warranty shall not apply to any instrument or other article of equipment which shall have been repaired or altered outside the SIMPSON ELECTRIC COMPANY factory or authorized service stations, nor which has been subject to misuse, negligence or accident, incorrect wiring by others, or installation or use not in accord with instructions furnished by the manufacturer.

270 SERIES 2 ROLL TOP Complete with leads \$70.95
EXTRA "270" SERIES 2 ACCESSORIES AVAILABLE

D.C. HIGH VOLTAGE PROBES

10,000 VOLTS — PART No. 0507 \$10.20
25,000 VOLTS — PART No. 0508 \$11.50
50,000 VOLTS — PART No. 0509 \$12.50

CARRYING CASES

LEATHER CARRYING CASE FOR 270 SERIES 2 (No. 1818) \$8.50
FIBREGLASS VINYL PLASTIC CARRYING CASE FOR 270 SERIES 2 (No. 4236) \$9.75

Simpson ELECTRIC COMPANY

5200 Kinzie St., Chicago 44, Illinois • Phone: ESTbrook 9-1121

In Canada: Bach-Simpson, Ltd., London, Ontario



LAC DU FLAMBEAU PLANT
WISCONSIN



LAKE STREET PLANT
CHICAGO



KINZIE STREET PLANT
CHICAGO



AURORA PLANT
AURORA, ILL.